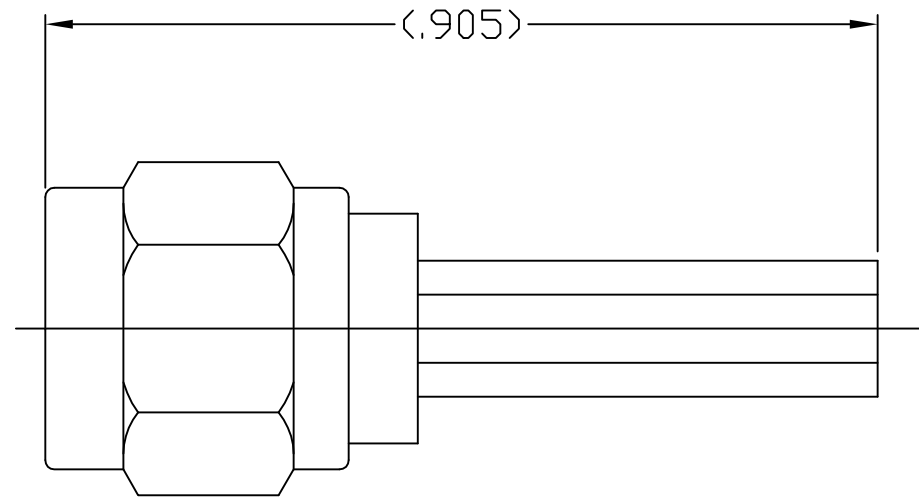


CONNECTOR SERIES: : SMA
 CENTER CONTACT: : MALE PIN
 NOMINAL IMPEDANCE: (OHMS) : 50
 CABLE ACCOMMODATION: : RG174
 : RG188
 : RG316
 CONTACT CAPTIVATION: : N/A
 CABLE ATTACHMENT: : CRIMP
 CONTACT ATTACHMENT: : SOLDER
 FREQUENCY RANGE: : DC TO 3.0 GHz.
 QPL SPECIFICATION: : N/A
 QPL EQUIVALENT: : N/A

MATING CHARACTERISTICS : MIL-STD-348-310.1
 MATING TORQUE : N/A
 MOUNTING TORQUE : N/A
 TEMPERATURE RANGE : -55 / +125 DEGREES C.

ELECTRICAL:
 VSWR MAXIMUM : 1.15 x F^{.02} (F IN GHz.)
 INSERTION LOSS MAXIMUM : .025 x F^{.5} (F IN GHz.)
 R.F. LEAKAGE MINIMUM : -90 dB - F (F IN GHz.)
 INSULATION RESISTANCE : 5,000 MEGOHMS MIN.
 D.W.V. : 750 VRMS MAX.



CONFIDENTIAL

ITEM	MATERIALS	FINISHES
BODY & NUT	: BRASS PER ASTM-B-16	: GOLD PER ASTM-B-488
INSULATOR	: PTFE PER ASTM-D-1710	: N/A
CONTACT	: BRASS PER ASTM-B-16	: GOLD PER ASTM-B-488
FERRULE	: ANNEALED COPPER	: GOLD PER ASTM-B-488

REV.	DCN NUMBER	DATE	APP.
AA	00-0876	7/11/00	AJH
AB	00-0918	8/2/00	DGG
AC	04-1341	3/15/04	DC

SPECIFICATION CONTROL DRAWING



TITLE
**SMA PLUG,
 STRAIGHT, CRIMP,
 RG174, 188 AND 316**

TOLERANCES		
DECIMALS	FRACTIONAL	DEGREES
.X ±.030		X°±1°0'
.XX ±.010	± 1/16"	X°X' ±15'
.XXX ±.005		

DRAWN: DC DATE: 3/15/04
 APPROVED: DC DATE: 3/15/04

SCALE	CODE IDENT	SHEET
N/A	2J899	1 of 1

DRAWING
 NO. **9800-1631-2301**