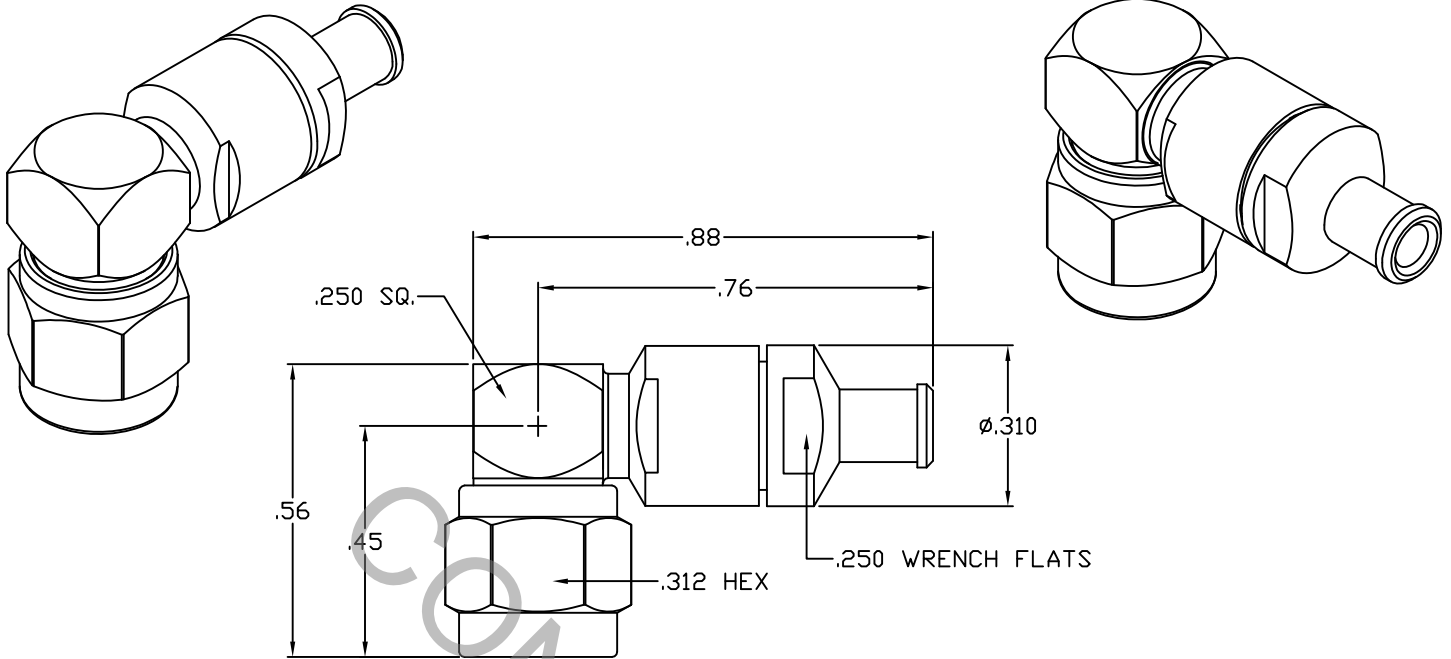


SPECIFICATION CONTROL DRAWING




1. MATING INTERFACE DIMENSIONS Per MIL-STD-348 Fig. 310.1 (SMA PLUG).

2. ELECTRICAL

| | | |
|---|-------|-------------------------------|
| FREQUENCY RANGE GHz | _____ | DC TO 18.0 GHz |
| VSWR (MAX.) * | _____ | 1.08 + .007 x FGHz |
| INSERTION LOSS (dB MAX.) * | _____ | .04 dB x $\sqrt{\text{FGHz}}$ |
| NOMINAL IMPEDANCE (OHMS) | _____ | 50 |
| VOLTAGE RATING (MAX. VRMS) | _____ | 108 |
| RF LEAKAGE (MIN. dB DOWN) | _____ | -100 dB - FGHz |
| TEMPERATURE RATING (DEGREES CENTIGRADE) | _____ | -65°C TO + 165°C |
| DIELECTRIC WITHSTANDING VOLTAGE (MAX. VRMS) | _____ | 325 |
| INSULATION RESISTANCE (MIN. MEGOHMS) | _____ | 5,000 |
| CONTACT RESISTANCE | | |
| • CENTER CONTACT (MAX. MILLIOHMS) | _____ | 6.0 |
| • OUTER CONTACT (MAX. MILLIOHMS) | _____ | 2.0 |

* TERMINATED IN A 50 OHM LOAD

RoHS
COMPLIANT

| REV. | DCN NO. | DATE | APP. | DIMENSIONS ARE IN INCHES TOLERANCES | | |  HAVERHILL, MA 01835 |
|------|---------|---------|------|--|----------------------|--|--|
| AA | 12-1180 | 2/28/12 | DC | DECIMALS .X ± .030 .XX ± .010 .XXX ± .005 | FRACTIONAL ± 1/64 | ANGULAR X ° ± 1° 0' X ° X' ± 15' | |
| | | | | DRAWN DC | DATE 2/28/12 | TITLE SMA PLUG, RIGHT ANGLE, SOLDER CLAMP, Ø.047 FLEXIBLE CABLE | |
| | | | | APPROVED DC | DATE 2/28/12 | | |
| | | | | CODE IDENT. 2J899 | SHEET 1 OF 2 | | DWG. NO. 9801-4645-6200 |

SPECIFICATION CONTROL DRAWING

3. MECHANICAL

CAPTIVATION-CENTER CONTACT

MAX AXIAL FORCE _____ N/A

MAX RADIAL TORQUE _____ N/A

CENTER CONTACT AXIAL FORCES

● INSERTION (MAX. OUNCES) _____ N/A

● WITHDRAWAL (MIN. OUNCES) _____ N/A

CONNECTOR ENGAGEMENT/DISENGAGEMENT (MAX. LBS.) _____ 2.0

CONNECTOR DURABILITY (MIN. CYCLES) _____ 500

RECOMMENDED MATING TORQUE _____ 7 - 10 IN. LBS.

4. ENVIRONMENTAL

THERMAL SHOCK _____ MIL-STD-202, METHOD 107, COND. B (-65° c TO +165° c)

SHOCK _____ MIL-STD-202, METHOD 213, COND. I (100 G's)

VIBRATION _____ MIL-STD-202, METHOD 204, COND. D (20 G's)

MOISTURE RESISTANCE _____ MIL-STD-202, METHOD 106, LESS STEP 7b

CORROSION _____ MIL-STD-202, METHOD 101, COND. B (48 HOURS)

BAROMETRIC PRESSURE (ALTITUDE) _____ MIL-STD-202, METHOD 105, COND. C (70,000 FT.) (80 VRMS)

5. MATERIAL

BODY & COUPLING NUT _____ STAINLESS STEEL PER ASTM-A-582, TYPE 303, COND. A

CONTACT & RETAINING RING _____ BERYLLIUM COPPER PER ASTM-B-196-90, COPPER ALLOY
No. UNS-C17300, TEMPER TD04.

INSULATORS _____ TEFLON PER ASTM-D-1710-02, TYPE 1, GRADE 1, CLASS B.

GASKET _____ SILICONE RUBBER PER ZZ-R-765.

SOLDER SLEEVE _____ BRASS PER ASTM-B-16, TEMPER H02, ALLOY C36000.

6. FINISH

BODY & COUPLING NUT _____ PASSIVATE PER AMS QQ-P-35, TYPE 2.

SOLDER SLEEVE _____ GOLD PER ASTM-B-488, TYPE I, CODE C, CLASS 1.27
(.000050 MIN. THK.) OVER NICKEL per QQ-N-290
(.000150 MIN. THK.) OVER COPPER per MIL-C-14550
(.000010 MIN. THK.)

CONTACT _____ GOLD PER ASTM-B-488, TYPE I, CODE C, CLASS 2.5
(.000100 MIN. THK.) OVER NICKEL per QQ-N-290
(.000050 MIN. THK.) OVER COPPER per MIL-C-14550
(.000010 MIN. THK.)

INSULATORS, RETAINING RING & GASKET _____ N/A