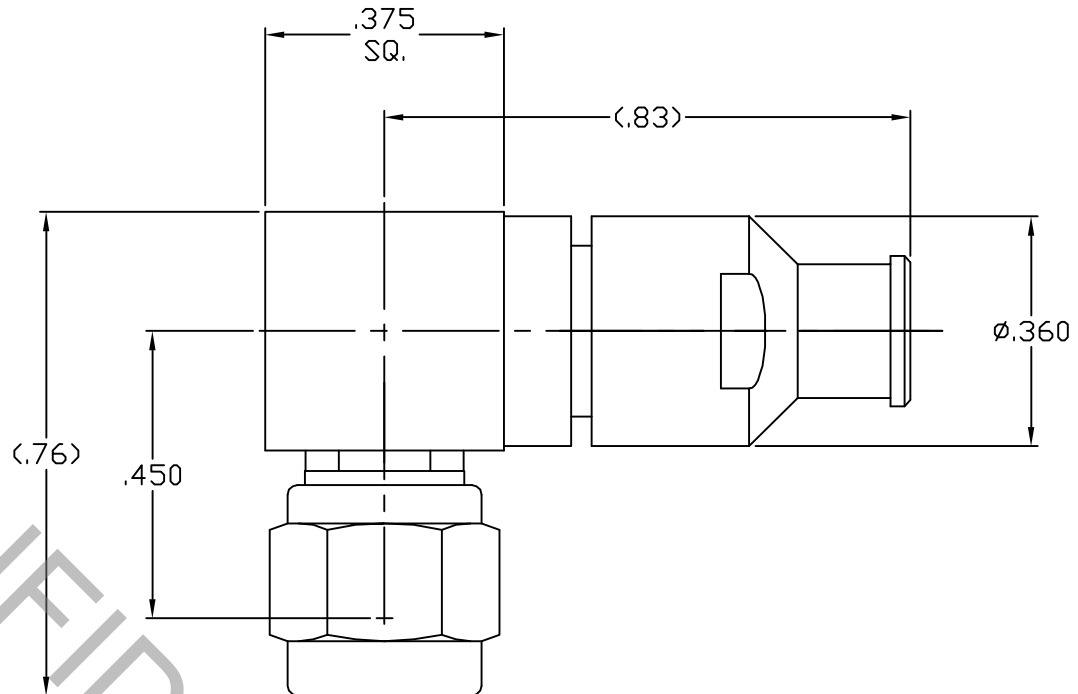


CONNECTOR SERIES: : SMA
 CENTER CONTACT: : MALE PIN
 NOMINAL IMPEDANCE: (OHMS) : 50
 CABLE ACCOMMODATION: : 9-40034
 : T-FLEX 405
 : Ø .085 S/R
 CONTACT CAPTIVATION: : 6.0 LBs.
 CABLE ATTACHMENT: : SOLDER CLAMP
 CONTACT ATTACHMENT: : SLIDE ON
 FREQUENCY RANGE: : DC TO 18.0 GHz.
 QPL SPECIFICATION: : N/A
 QPL EQUIVALENT: : N/A

MATING CHARACTERISTICS : MIL-STD-348-310.1
 MATING TORQUE : 7 TO 10 POUND INCHES
 MOUNTING TORQUE : N/A
 TEMPERATURE RANGE : -55 / +165 DEGREES C.

ELECTRICAL:
 VSWR MAXIMUM : 1.05 + .008 x FGHz.
 INSERTION LOSS MAXIMUM : .040 x $\sqrt{\text{FGHz}}$
 R.F. LEAKAGE MINIMUM : -100 dB
 INSULATION RESISTANCE : 5,000 MEOHMS MIN.
 D.W.V. : 1000 VRMS MAX.



ITEM	MATERIALS	FINISHES
BODY	: 303 STAINLESS PER ASTM-A-582	: PASSIVATE PER QQ-P-35
NUT	: 303 STAINLESS PER ASTM-A-582	: PASSIVATE PER QQ-P-35
NUT RING	: COPPER, BERYLLIUM PER ASTM-B194	: N/A
GASKET	: RUBBER, SILICONE PER ZZ-R-765	: N/A
INSULATOR	: PTFE PER ASTM-D-1710	: N/A
CONTACT	: COPPER, BERYLLIUM PER ASTM-B196	: GOLD PER ASTM-B-488

REV.	DCN NUMBER	DATE	APP.
AA	06-1648	5/17/06	DC

SPECIFICATION CONTROL DRAWING

TOLERANCES		
DECIMALS	FRACTIONAL	DEGREES
.X ±.030		X°±1'0"
.XX ±.010	± 1/16"	X°X' ±15"
.XXX ±.005		

DRAWN: DC		DATE: 5/17/06
APPROVED: DC		DATE: 5/17/06
SCALE	CODE IDENT	SHEET
N/A	2J899	1 of 1



TITLE
**SMA MALE, RIGHT
 ANGLE, T-FLEX 405
 FLEXIBLE CABLE**

DRAWING
 NO. **9801-8545-6200**