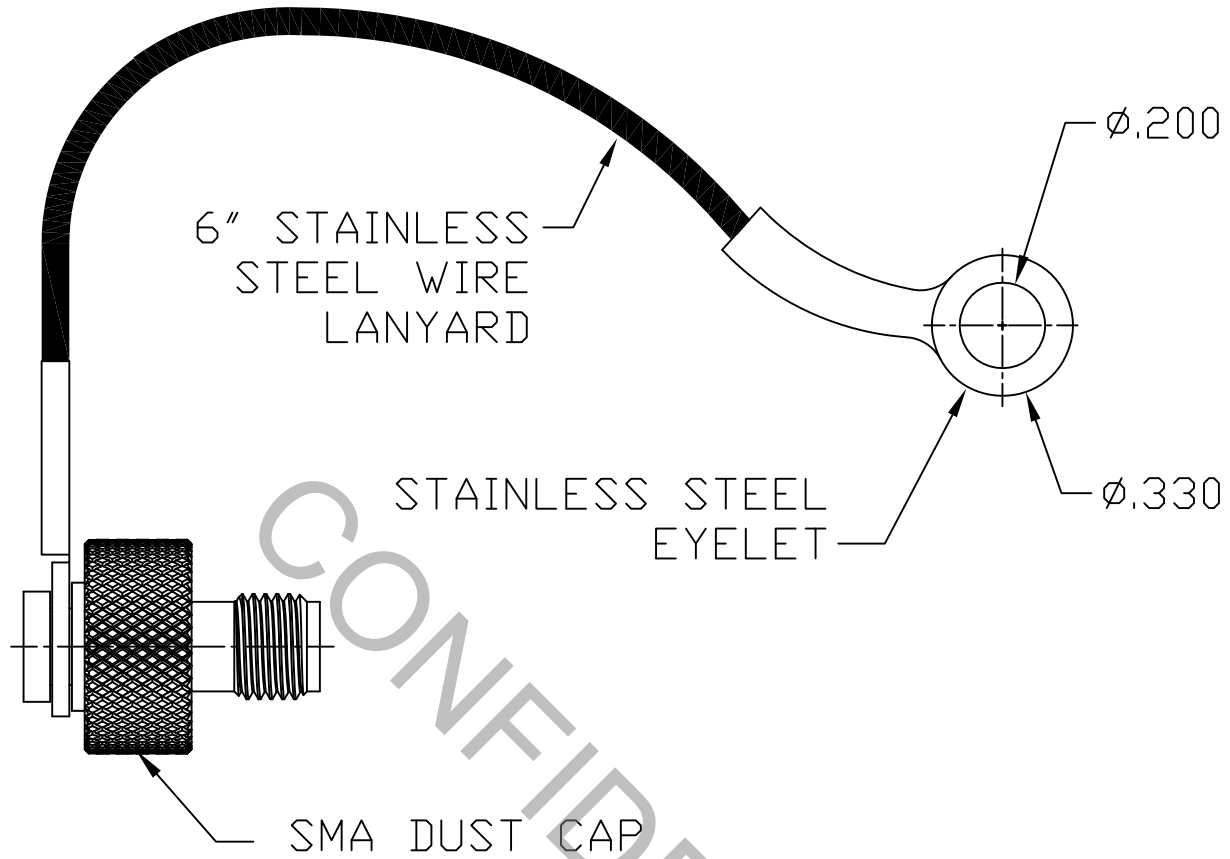


SPECIFICATION CONTROL DRAWING




1. MATERIAL:

- 1.0 BODY : STAINLESS STEEL PER ASTM A 582, TYPE 303, COND. A.
- 1.1 LANYARD AND EYELETS : STAINLESS STEEL, 304

2. FINISH:

- 2.0 BODY : PASSIVATE PER AMS-2700, TYPE 2, CLASS 4
- 2.0 LANYARD AND EYELETS : CLEAR PLASTIC COATED

REV.	DCN NO.	DATE	APP.	DIMENSIONS ARE IN INCHES TOLERANCES			 HAVERHILL MA. 01835
AA	14-2553	12/12/14	DC	DECIMALS .X ±.030 .XX ±.010 .XXX ±.005	FRACTIONAL ± 1/64	ANGULAR X ° ± 1° 0' X ° X' ± 15'	
				DRAWN	DC	DATE 12/12/14	TITLE SMA PLUG DUST CAP WITH STAINLESS STEEL LANYARD
				APPROVED	DC	DATE 12/12/14	
				CODE IDENT.	SHEET 1 OF 1		DWG. NO. 9900-0000-6201
				2J899			