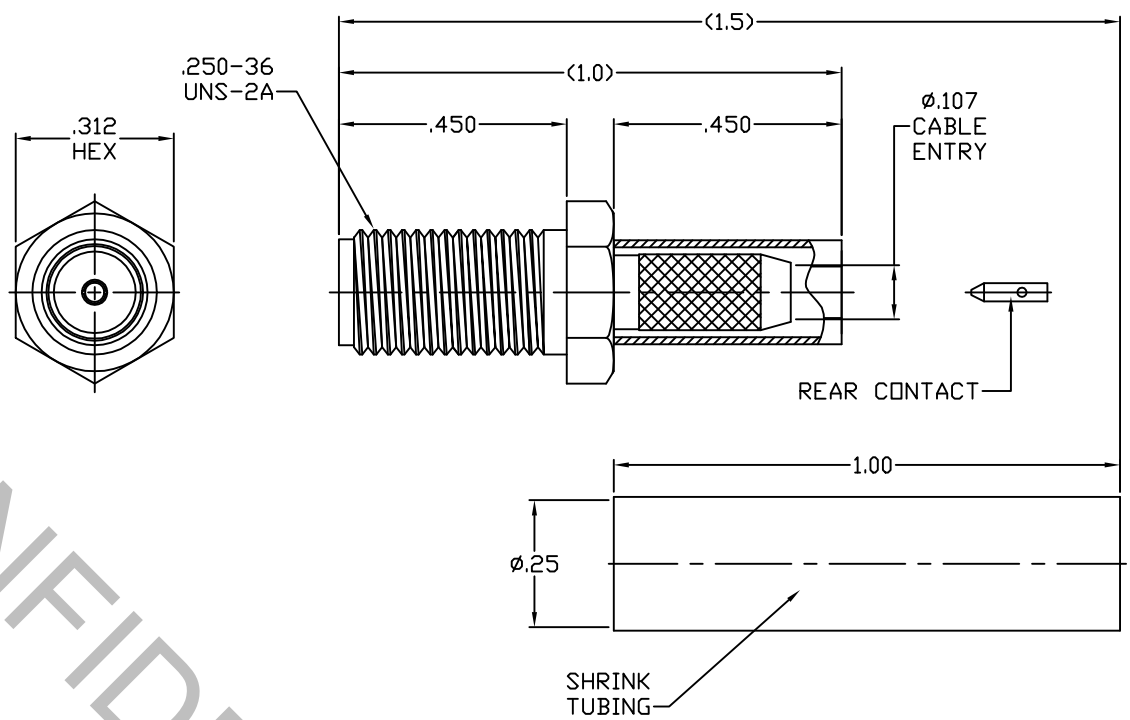


CONNECTOR SERIES: : SMA
 CENTER CONTACT: : FEMALE SOCKET
 NOMINAL IMPEDANCE: (OHMS) : 50
 CABLE ACCOMMODATION: : 94 OHM
 : YELLOW JACKET
 : SPECIAL
 CONTACT CAPTIVATION: : 4.5 LBs.
 CABLE ATTACHMENT: : CRIMP
 CONTACT ATTACHMENT: : SOLDER
 FREQUENCY RANGE: : DC TO 1.0 GHz.
 QPL SPECIFICATION: : N/A
 QPL EQUIVALENT: : N/A

MATING CHARACTERISTICS : MIL-STD-348-310.2
 MATING TORQUE : 7 TO 10 POUND INCHES
 MOUNTING TORQUE : N/A
 TEMPERATURE RANGE : -55 / +125 DEGREES C.

ELECTRICAL:
 VSWR MAXIMUM : N/A
 INSERTION LOSS MAXIMUM : .050 dB @ 1 GHz.
 R.F. LEAKAGE MINIMUM : -60 dB
 INSULATION RESISTANCE : 5,000 MOHMS MINIMUM
 D.W.V. : 1000 VRMS MAX.



NOTE: CRIMP WITH .178 HEX DIE

ITEM	MATERIALS	FINISHES
TUBING	: MIL-DTL-23053/5 CLASS 1	: BLACK
BODY	: 303 STAINLESS PER ASTM-A-582	: PASSIVATE PER QQ-P-35
CRIMP SLEEVE	: BRASS PER ASTM-B-16	: NICKEL PER QQ-N-290
INSULATOR	: PTFE PER ASTM-D-1710	: N/A
CONTACTS	: COPPER, BERYLLIUM PER ASTM-B196	: GOLD PER ASTM-B-488

REV.	DCN NUMBER	DATE	APP.
AA	05-1748	7/25/05	DC

SPECIFICATION CONTROL DRAWING



TITLE
**SMA JACK, STR.,
 CRIMP, 94 OHM
 FLEXIBLE CABLE**

TOLERANCES			DRAWN: DC DATE: 7/25/05		
DECIMALS	FRACTIONAL	DEGREES	APPROVED: DC DATE: 7/25/05		
.X ±.030		X° ±1'0"	SCALE	CODE IDENT	SHEET
.XX ±.010	± 1/16"	X°X' ±15'	N/A	2J899	1 of 1
.XXX ±.005					

DRAWING NO. **9900-1430-6200**