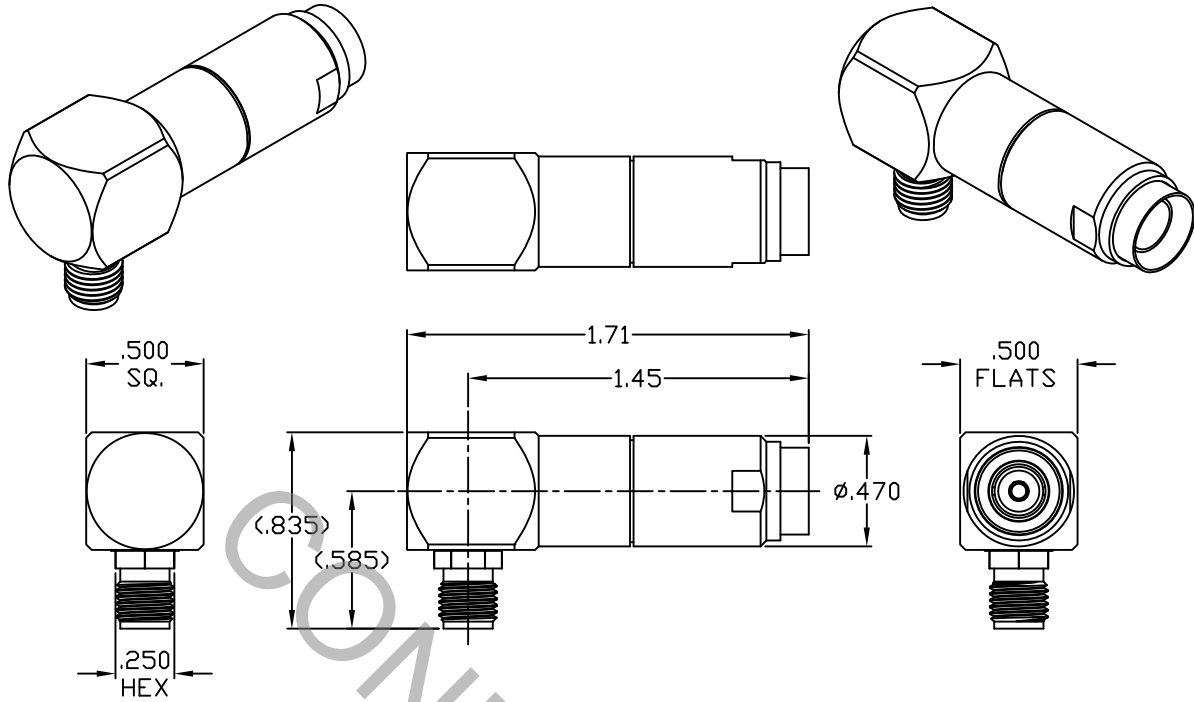


# SPECIFICATION CONTROL DRAWING



SOLD ON DYNAWAVE CABLE ASSEMBLIES ONLY

1. MATING INTERFACE DIMENSIONS Per MIL-STD-348 Fig. 310.2 (SMA JACK).

## 2. ELECTRICAL

|   |       |                    |
|---|-------|--------------------|
| FREQUENCY RANGE GHz                         | _____ | DC TO 18.0 GHz     |
| VSWR (MAX) *                                | _____ | 1.05 + .006 x FGHz |
| INSERTION LOSS (dB MAX) *                   | _____ | .05 dB x √FGHz     |
| NOMINAL IMPEDANCE (OHMS)                    | _____ | 50                 |
| VOLTAGE RATING (MAX. VRMS)                  | _____ | 333                |
| RF LEAKAGE (MIN. dB DOWN)                   | _____ | -100 dB - FGHz     |
| TEMPERATURE RATING (DEGREES CENTIGRADE)     | _____ | -65°C TO + 165°C   |
| DIELECTRIC WITHSTANDING VOLTAGE (MAX. VRMS) | _____ | 1,000              |
| INSULATION RESISTANCE (MIN. MEGOHMS)        | _____ | 5,000              |
| CONTACT RESISTANCE                          |       |                    |
| • CENTER CONTACT (MAX. MILLIOHMS)           | _____ | 6.0                |
| • OUTER CONTACT (MAX. MILLIOHMS)            | _____ | 2.0                |

\* TERMINATED IN A 50 OHM LOAD

**RoHS**  
COMPLIANT

| REV. | DCN NO. | DATE    | APP. | DIMENSIONS ARE IN INCHES<br>TOLERANCES |              |              | CABLE INCORPORATED<br>HAVERHILL, MA 01835  |
|------|---------|---------|------|--|--------------|--------------|--|
| AA   | 13-1738 | 5/17/13 | DC   | DECIMALS                               | FRACTIONAL   | ANGULAR      |  |
|      |         |         |      | .X ± .030                              |              | X ° ± 1° 0'  | TITLE<br>SMA JACK, RIGHT ANGLE,<br>SOLDER CLAMP, PLUG-IN<br>CTC, DF226, LT ARMOR |
|      |         |         |      | .XX ± .010                             | ± 1/64       | X ° X' ± 15' |  |
|      |         |         |      | .XXX ± .005                            |              |              |  |
|      |         |         |      | DRAWN                                  | RMS          | DATE         | 5/17/13  |
|      |         |         |      | APPROVED                               | DC           | DATE         | 5/17/13  |
|      |         |         |      | CODE IDENT.                            | SHEET 1 OF 2 |              | DWG. NO.   |
|      |         |         |      | 6DZL5                                  |              |              | 9901-226R-6240   |

# SPECIFICATION CONTROL DRAWING

## 3. MECHANICAL

CAPTIVATION-CENTER CONTACT  
 MAX AXIAL FORCE \_\_\_\_\_ 4.5 LBS.  
 MAX RADIAL TORQUE \_\_\_\_\_ 4.0 OZS.  
 CENTER CONTACT AXIAL FORCES  
 ● INSERTION (MAX OUNCES) \_\_\_\_\_ N/A  
 ● WITHDRAWAL (MIN. OUNCES) \_\_\_\_\_ N/A  
 CONNECTOR ENGAGEMENT/DISENGAGEMENT (MAX. LBS.) \_\_\_\_\_ 2.0  
 CONNECTOR DURABILITY (MIN. CYCLES) \_\_\_\_\_ 500  
 RECOMMENDED MATING TORQUE \_\_\_\_\_ 7 - 10 IN. LBS.

## 4. ENVIRONMENTAL

TEMPERATURE CYCLING \_\_\_\_\_ MIL-STD-202, METHOD 107, COND. C ( -65° c TO + 165° c )  
 SHOCK \_\_\_\_\_ MIL-STD-202, METHOD 213, COND. I (100 G's)  
 VIBRATION \_\_\_\_\_ MIL-STD-202, METHOD 204, COND. D (20 G's)  
 MOISTURE RESISTANCE \_\_\_\_\_ MIL-STD-202, METHOD 106, LESS STEP 7b  
 CORROSION \_\_\_\_\_ MIL-STD-202, METHOD 101, COND. B (48 HOURS)  
 BAROMETRIC PRESSURE (ALTITUDE) \_\_\_\_\_ MIL-STD-202, METHOD 105, COND. C ( 70,000 FT. ) ( 250 VRMS )

## 5. MATERIAL

BODY, BUSHINGS, CLAMP NUT, CUBE & \_\_\_\_\_ STAINLESS STEEL PER ASTM-A-582, TYPE 303, COND. A  
 PRESS SLEEVE  
 CONTACTS \_\_\_\_\_ BERYLLIUM COPPER PER ASTM-B-196/B, 196M-03, COPPER  
 ALLOY No. UNS-C17300, TEMPER TD04.  
 INSULATORS \_\_\_\_\_ TEFLON PER ASTM-D-1710-02, TYPE 1, GRADE 1, CLASS B.  
 INSULATOR BEAD \_\_\_\_\_ CROSS LINKED POLYETHYLENE (400° F).  
 O-RINGS \_\_\_\_\_ SILICONE RUBBER PER ZZ-R-765.  
 SOLDER SLEEVE \_\_\_\_\_ BRASS PER ASTM-B-16, TEMPER H02, ALLOY C36000.

## 6. FINISH

BODY, BUSHINGS, CLAMP NUT, CUBE & \_\_\_\_\_ PASSIVATE PER AMS-2700, TYPE 2, CLASS 4.  
 PRESS SLEEVE  
 SOLDER SLEEVE \_\_\_\_\_ GOLD PER ASTM-B-488, TYPE I, CODE C, CLASS 1.27  
 (.000050 MIN. THK.) OVER NICKEL PER SAE-AMS-QQ-N-290  
 CLASS 1 (.000150 MIN. THK.) OVER COPPER PER AMS-2418  
 (.000010 MIN. THK.)  
 INTERFACE CONTACT \_\_\_\_\_ GOLD PER ASTM-B-488, TYPE I, CODE C, CLASS 1.27  
 (.000050 MIN. THK.) OVER NICKEL PER SAE-AMS-QQ-N-290  
 CLASS 1 (.000050 MIN. THK.) OVER COPPER PER AMS-2418  
 (.000010 MIN. THK.)  
 INTERNAL CONTACTS \_\_\_\_\_ GOLD PER ASTM-B-488, TYPE I, CODE C, CLASS 0.75  
 (.000030 MIN. THK.) OVER NICKEL PER SAE-AMS-QQ-N-290  
 CLASS 1 (.000050 MIN. THK.) OVER COPPER PER AMS-2418  
 (.000010 MIN. THK.)  
 INSULATORS & O-RINGS \_\_\_\_\_ N/A