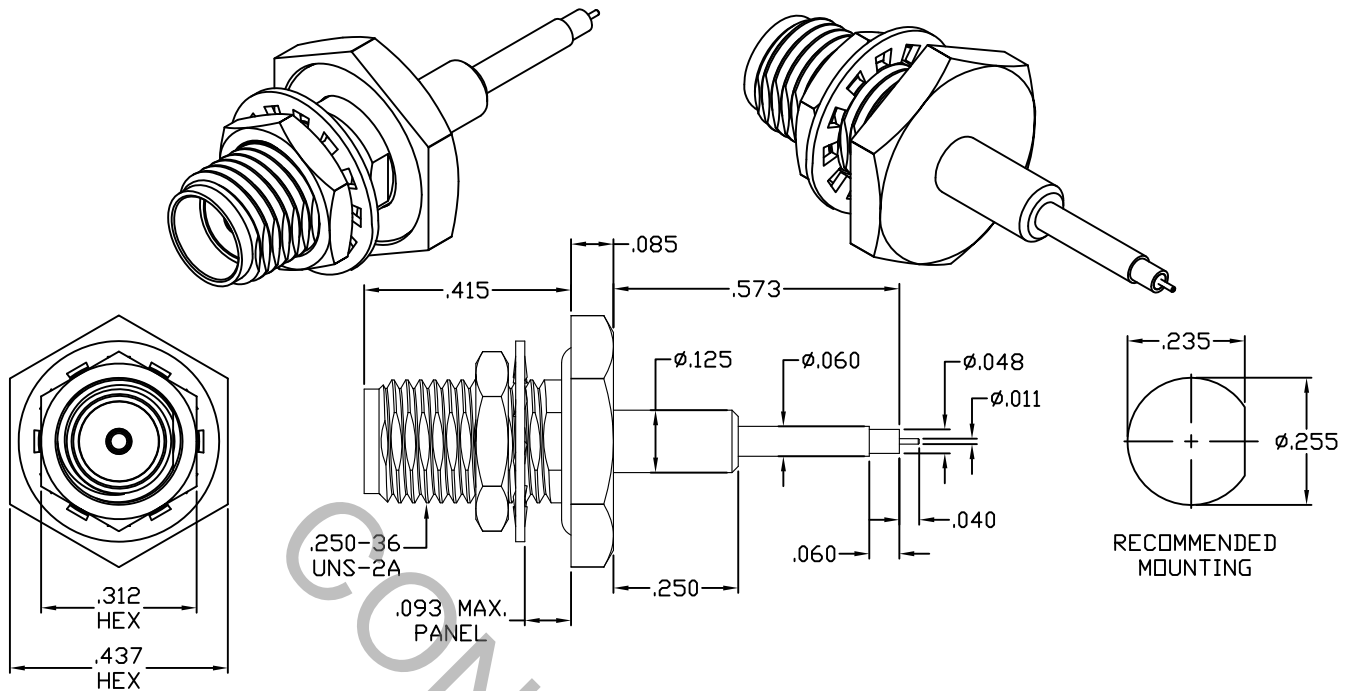


SPECIFICATION CONTROL DRAWING



1. MATING INTERFACE DIMENSIONS Per MIL-STD-348 Fig. 310.2 (SMA JACK).


2. ELECTRICAL

FREQUENCY RANGE GHz	_____	DC TO 26.5 GHz
VSWR (MAX) *	_____	1.07 + .010 x FGHz
INSERTION LOSS (dB MAX) *	_____	.04 dB x $\sqrt{\text{FGHz}}$
NOMINAL IMPEDANCE (OHMS)	_____	50
VOLTAGE RATING (MAX. VRMS)	_____	80
RF LEAKAGE (MIN. dB DOWN)	_____	-100 dB - FGHz
TEMPERATURE RATING (DEGREES CENTIGRADE)	_____	-65°c TO + 165°c
DIELECTRIC WITHSTANDING VOLTAGE (MAX. VRMS)	_____	250
INSULATION RESISTANCE (MIN. MEGOHMS)	_____	5,000
CONTACT RESISTANCE		
• CENTER CONTACT (MAX. MILLIOHMS)	_____	6.0
• OUTER CONTACT (MAX. MILLIOHMS)	_____	2.0

* TERMINATED IN A 50 OHM LOAD

This Document contains proprietary and confidential information.

RoHS
COMPLIANT

REV.	DCN NO.	DATE	APP.	DIMENSIONS ARE IN INCHES TOLERANCES			 HAVERHILL, MA 01835
				DECIMALS	FRACTIONAL	ANGULAR	
AA	09-1114	2/6/09	DC	.X ± .030		X ° ± 1° 0'	TITLE SMA JACK, BULKHEAD, Ø.011 PIN TERMINAL
AB	13-2080	8/2/13	DC	.XX ± .010 .XXX ± .005	± 1/64	X ° X' ± 15'	
				DRAWN DC	DATE 2/6/09		
				APPROVED DC	DATE 2/6/09		
				CODE IDENT. 2J899	SHEET 1 OF 2		DWG. NO. 9910-0031-6400

SPECIFICATION CONTROL DRAWING

3. MECHANICAL

CAPTIVATION-CENTER CONTACT
 MAX AXIAL FORCE _____ 4.5 LBS.
 MAX RADIAL TORQUE _____ N/A
 CENTER CONTACT AXIAL FORCES
 ● INSERTION (MAX. OUNCES) _____ INTERFACE 32.0
 ● WITHDRAWAL (MIN. OUNCES) _____ INTERFACE 2.0
 CONNECTOR ENGAGEMENT/DISENGAGEMENT (MAX. LBS.) _____ 2.0
 CONNECTOR DURABILITY (MIN. CYCLES) _____ 500
 RECOMMENDED MATING TORQUE _____ 7 - 10 IN. LBS.
 RECOMMENDED MOUNTING TORQUE _____ 18 - 22 IN. LBS.

4. ENVIRONMENTAL

THERMAL SHOCK _____ MIL-STD-202, METHOD 107, COND. B (-65° c TO +165° c)
 SHOCK _____ MIL-STD-202, METHOD 213, COND. I (100 G's)
 VIBRATION _____ MIL-STD-202, METHOD 204, COND. D (20 G's)
 MOISTURE RESISTANCE _____ MIL-STD-202, METHOD 106, LESS STEP 7b
 CORROSION _____ MIL-STD-202, METHOD 101, COND. B (48 HOURS)
 BAROMETRIC PRESSURE (ALTITUDE) _____ MIL-STD-202, METHOD 105, COND. C (70,000 FT.) (60 VRMS)

5. MATERIAL

BODY, HEX NUT _____ STAINLESS STEEL PER ASTM-A-582, TYPE 303, COND. A
 CONTACT _____ BERYLLIUM COPPER PER ASTM-B-196-90, COPPER ALLOY
 No. UNS-C17300, TEMPER TD04.
 INSULATOR _____ TEFLON PER ASTM-D-1710-02, TYPE 1, GRADE 1, CLASS B.
 O-RING _____ SILICONE RUBBER PER ZZ-R-765.
 LOCKWASHER _____ STAINLESS STEEL, TYPE 410.

6. FINISH

LOCKWASHER & HEXNUT _____ PASSIVATE PER AMS QQ-P-35, TYPE 2.
 BODY _____ GOLD PER ASTM-B-488, TYPE I, CODE C, CLASS 1.25
 (.000050 MIN. THK.) OVER NICKEL per QQ-N-290
 (.000150 MIN. THK.) OVER COPPER per MIL-C-14550
 (.000010 MIN. THK.)
 CONTACT _____ GOLD PER ASTM-B-488, TYPE I, CODE C, CLASS 2.5
 (.000100 MIN. THK.) OVER NICKEL per QQ-N-290
 (.000050 MIN. THK.) OVER COPPER per MIL-C-14550
 (.000010 MIN. THK.)
 INSULATOR& O-RING _____ N/A