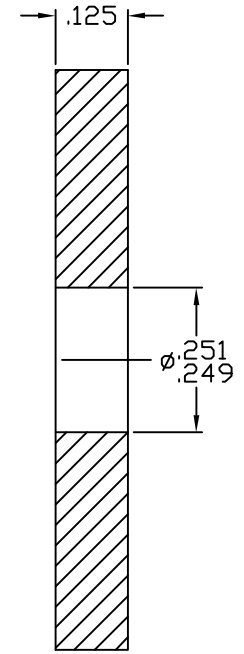
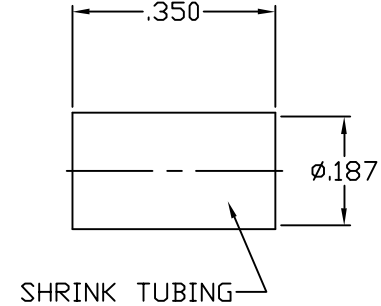
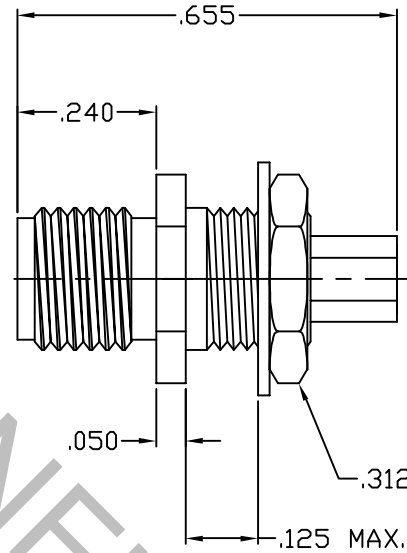


CONNECTOR SERIES: : SMA
 CENTER CONTACT: : FEMALE SOCKET
 NOMINAL IMPEDANCE: (OHMS) : 50
 CABLE ACCOMMODATION: : RG-178
 : RG-196

CONTACT CAPTIVATION: : N/A
 CABLE ATTACHMENT: : CRIMP
 CONTACT ATTACHMENT: : SOLDER
 FREQUENCY RANGE: : DC TO 3.0 GHz.
 QPL SPECIFICATION: : N/A
 QPL EQUIVALENT: : N/A

MATING CHARACTERISTICS : MIL-STD-348A, FIG. 310.2
 MATING TORQUE : 5 TO 7 POUND INCHES
 MOUNTING TORQUE : N/A
 TEMPERATURE RANGE : -55 / +125 DEGREES C.

ELECTRICAL:
 VSWR MAXIMUM : $1.10 \times F^{.02}$ (F IN GHz.)
 INSERTION LOSS MAXIMUM : $.040 \times \sqrt{F}$ GHz.
 R.F. LEAKAGE MINIMUM : -100 dB - FGHz.
 INSULATION RESISTANCE : 10,000 MEGOHMS MIN.
 D.W.V. : 500 VRMS MAX.



RECOMMENDED MOUNTING

CONFIDENTIAL

ITEM	MATERIALS	FINISHES
BODY	: STAINLESS STEEL ASTM A 581.	: PASSIVATE PER ASTM QQ-P-35
LOCKNUT	: STAINLESS STEEL ASTM A 581.	: PASSIVATE PER ASTM QQ-P-35
LOCKWASHER	: STAINLESS STEEL ASTM A 581.	: PASSIVATE PER ASTM QQ-P-35
CRIMP SLEEVE	: BRASS PER ASTM-B16	: NICKEL PER QQ-N-290
INSULATOR	: PTFE PER ASTM-D-1710	: N/A
CONTACT	: BERYLLIUM COPPER PER ASTM-B-196-90	: GOLD PER ASTM-B-488

REV.	DCN NUMBER	DATE	APP.
AA	06-1649	5/17/06	TS
AB	06-1676	5/22/06	TS
AC	06-1683	5/24/06	DC

SPECIFICATION CONTROL DRAWING



TITLE SMA, JACK,
 BULKHEAD, FRONT MOUNT
 CRIMP FOR
 RG-178/U, RG-196/U CABLE

TOLERANCES		
DECIMALS	FRACTIONAL	DEGREES
.X ±.030		X° ± 1° 0'
.XX ±.010	± 1/16"	X° X' ± 15'
.XXX ±.005		

DRAWN: TS		DATE: 5/17/06
APPROVED: DC		DATE: 5/17/06
SCALE	CODE IDENT	SHEET
N/A	2J899	1 of 1

DRAWING NO. 9910-7860-6201