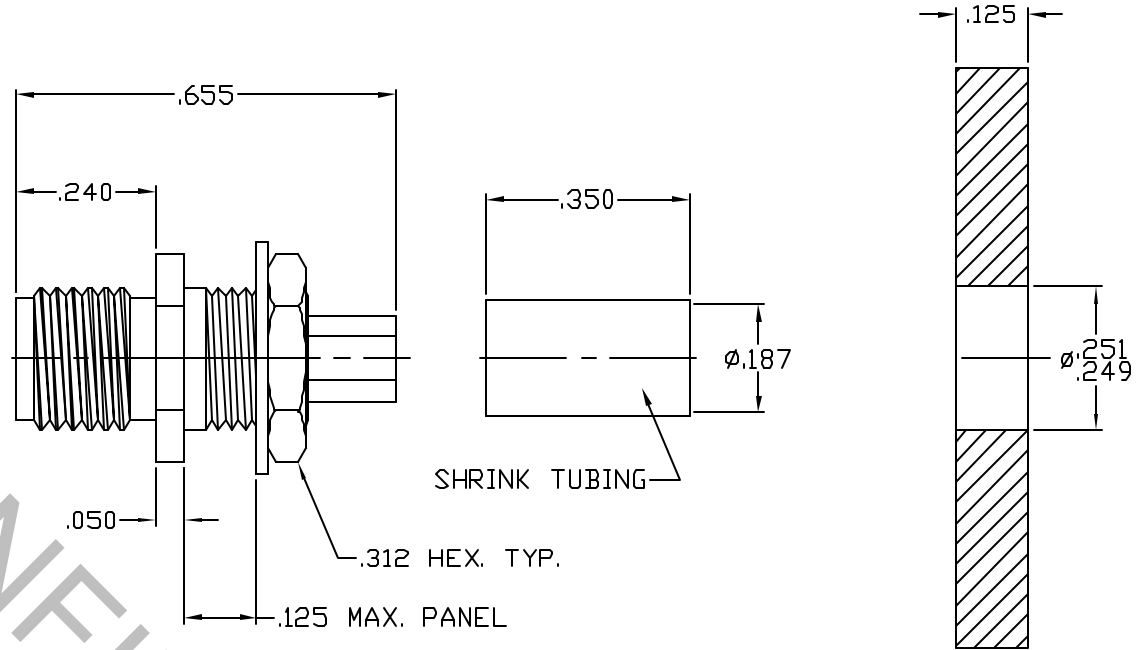


CONNECTOR SERIES: : SMA
 CENTER CONTACT: : FEMALE SOCKET
 NOMINAL IMPEDANCE: (OHMS) : 50
 CABLE ACCOMMODATION: : RG-178
 : RG-196

CONTACT CAPTIVATION: : N/A
 CABLE ATTACHMENT: : CRIMP
 CONTACT ATTACHMENT: : SOLDER
 FREQUENCY RANGE: : DC TO 3.0 GHz.
 QPL SPECIFICATION: : N/A
 QPL EQUIVALENT: : N/A

MATING CHARACTERISTICS : MIL-STD-348A, FIG. 310.2
 MATING TORQUE : 5 TO 7 POUND INCHES
 MOUNTING TORQUE : N/A
 TEMPERATURE RANGE : -55 / +125 DEGREES C.

ELECTRICAL:
 VSWR MAXIMUM : $1.10 \times F^{.02}$ (F IN GHz.)
 INSERTION LOSS MAXIMUM : $.040 \times \sqrt{F}$ GHz.
 R.F. LEAKAGE MINIMUM : -100 dB - FGHz.
 INSULATION RESISTANCE : 10,000 MEGOHMS MIN.
 D.W.V. : 500 VRMS MAX.



ITEM	MATERIALS	FINISHES
BODY	: STAINLESS STEEL ASTM A 581.	: GOLD PER ASTM B 488
LOCKNUT	: STAINLESS STEEL ASTM A 581.	: PASSIVATE PER ASTM QQ-P-35
LOCKWASHER	: STAINLESS STEEL ASTM A 581.	: PASSIVATE PER ASTM QQ-P-35
CRIMP SLEEVE	: BRASS PER ASTM-B16	: NICKEL PER QQ-N-290
INSULATOR	: PTFE PER ASTM-D-1710	: N/A
CONTACT	: BERYLLIUM COPPER PER ASTM-B-196-90	: GOLD PER ASTM-B-488

REV.	DCN NUMBER	DATE	APP.
AA	06-2444		

SPECIFICATION CONTROL DRAWING

dynawave.
 INCORPORATED
 Haverhill, MA. 01835

TITLE SMA, JACK,
 BULKHEAD, FRONT MOUNT
 CRIMP FOR
 RG-178/U, RG-196/U CABLE

TOLERANCES
 DECIMALS : .X ±.030
 : .XX ±.010
 : .XXX ±.005
 FRACTIONAL : ± 1/16"
 DEGREES : X° ± 1'
 : X° X' ± 15'

DRAWN: TS DATE: 11/29/06

APPROVED: DC DATE: 11/29/06

SCALE	CODE IDENT	SHEET
N/A	2J899	1 of 1

DRAWING
 NO. 9910-7860-6401