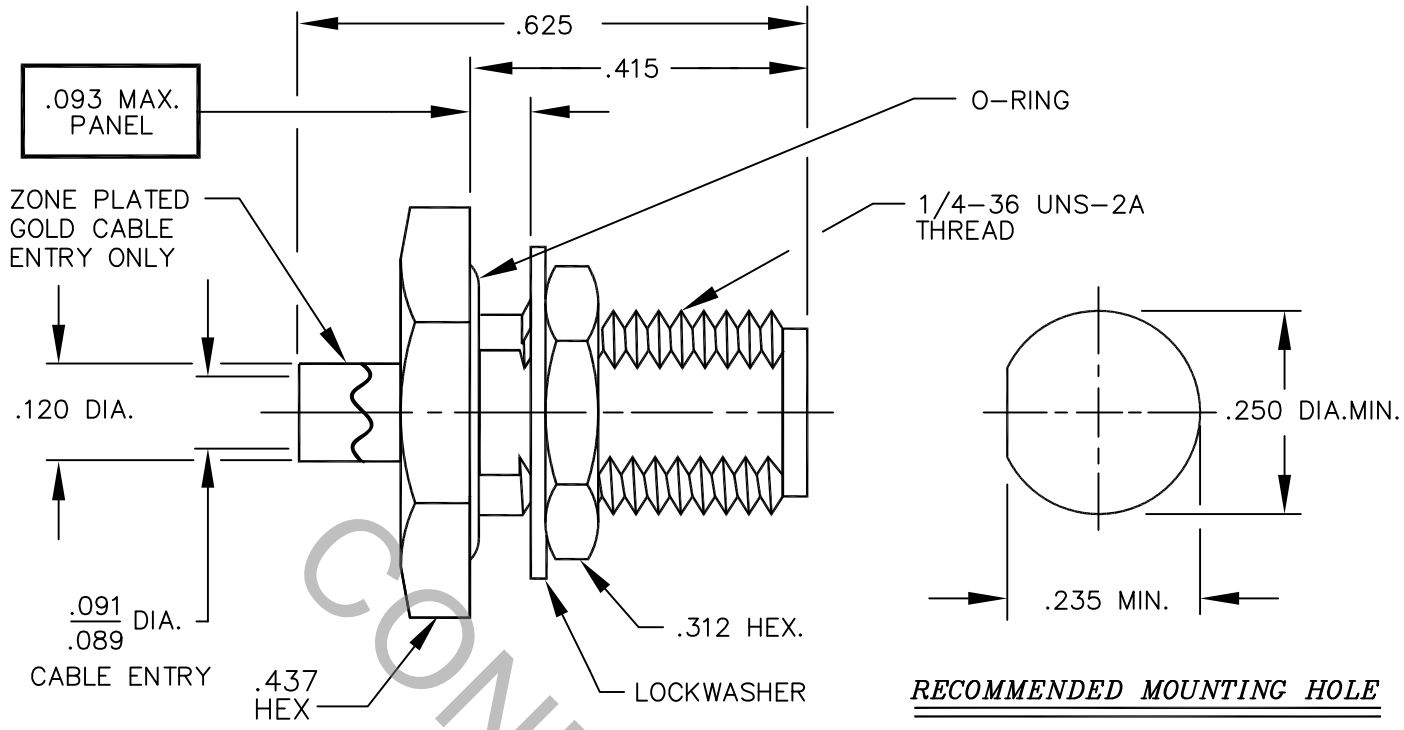


SPECIFICATION CONTROL DRAWING



1. MATING INTERFACE DIMENSIONS PER MIL-STD-348 Fig. 310-2 (SMA, JACK)

2. ELECTRICAL

FREQUENCY RANGE GHz	DC TO 26.5 GHz.
VSWR (MAX.) *	1.10 + .010 x FGHz
INSERTION LOSS (dB MAX.)	.03 dB x FGHz
NOMINAL IMPEDANCE (OHMS)	50
VOLTAGE RATING (MAX. VRMS)	250
RF LEAKAGE (MIN. dB DOWN)	100 dB - FGHz
TEMPERATURE RATING (DEGREES CENTIGRADE)	-65° c TO + 165° c
DIELECTRIC WITHSTANDING VOLTAGE (MAX. VRMS)	750
INSULATION RESISTANCE (MIN. MEGOHMS)	10,000
CONTACT RESISTANCE	
• CENTER CONTACT (MAX. MILLIOHMS)	3.0
• OUTER CONTACT (MAX. MILLIOHMS)	2.0

*TERMINATED IN A 50 OHM LOAD

RoHS
COMPLIANT

REV.	DCN NO.	DATE	APP.	DIMENSIONS ARE IN INCHES TOLERANCES			 HAVERHILL, MA. 01835
				DECIMALS	FRACTIONAL	ANGULAR	
AA	04-2296	11/2/04	DC	.X ± .030		X ° ± 1 0'	
AB	12-1078	1/25/12	TS	.XX ± .010	± /64	X ° X' ± 15'	
				DRAWN DC	DATE	11/2/04	
				APPROVED DC	DATE	11/2/04	
				CODE IDENT.			
				2J899	SHEET 1 OF 2		
					DWG. NO.	9910-8520-6875	
					TITLE SMA, JACK BULKHEAD MOUNT TO .085 S.R. CABLE		

SPECIFICATION CONTROL DRAWING

3. MECHANICAL

CAPTIVATION-CENTER CONTACT	
MAX.AXIAL FORCE	N/A
MAX. RADIAL TORQUE	N/A
CENTER CONTACT AXIAL FORCES	
● INSERTION (MAX. OUNCES)	48.0
● WITHDRAWAL (MIN. OUNCES)	2.0
CONNECTOR ENGAGEMENT/DISENGAGEMENT (MAX. IN. LBS.)	2.0
CONNECTOR DURABILITY (MIN. CYCLES)	500
RECOMMENDED MATING TORQUE	7 - 10 INCH LBS.

4. ENVIRONMENTAL

TEMPERATURE CYCLING	MIL-STD-202, METHOD 102, COND. C (-65° c TO + 200° c)
SHOCK	MIL-STD-202, METHOD 213, COND. I (100 G's)
VIBRATION	MIL-STD-202, METHOD 204, COND. D (20 G's)
MOISTURE RESISTANCE	MIL-STD-202, METHOD 106, LESS STEP 7b
CORROSION	MIL-STD-202, METHOD 101, COND. B (48 HOURS)
BAROMETRIC PRESSURE (ALTITUDE)	MIL-STD-202, METHOD 105, COND. C (70,000 FT.) (375 VRMS)

5. MATERIAL

BODY AND HEX NUT	STAINLESS STEEL PER ASTM-A-582, TYPE 303, COND. A
CONTACT	BERYLLIUM COPPER PER ASTM-B-196/B, 196M-03, COPPER ALLOY No. UNS-C17300, TEMPER TD04.
INSULATOR	TEFLON PER ASTM-D-1710-02, TYPE 1, GRADE 1, CLASS B.
LOCKWASHER	STAINLESS STEEL PER AMS-5640, TYPE 304
O-RING	SILICONE RUBBER PER ZZ-R-765.

6. FINISH

BODY (CABLE ENTRY)	GOLD PER ASTM-B-488, TYPE I, CODE C, CLASS 1.27 (.000050 MIN. THK.) OVER NICKEL PER SAE-AMS-QQ-N-290 CLASS 1 (.000150 MIN. THK.) OVER NICKEL (WOODS OR WATTS) (.000010 MIN. THK.)
BODY, HEX NUT AND LOCKWASHER	PASSIVATE PER AMS-2700, TYPE 2, CLASS 4.
CONTACT	GOLD PER ASTM-B-488, TYPE I, CODE C, CLASS 2.5 (.00010 MIN. THK.) OVER NICKEL PER SAE-AMS-QQ-N-290 CLASS 1 (.000050 MIN. THK.) OVER COPPER PER AMS-2418 (.000040 MIN. THK.)
INSULATOR AND O-RING	N/A