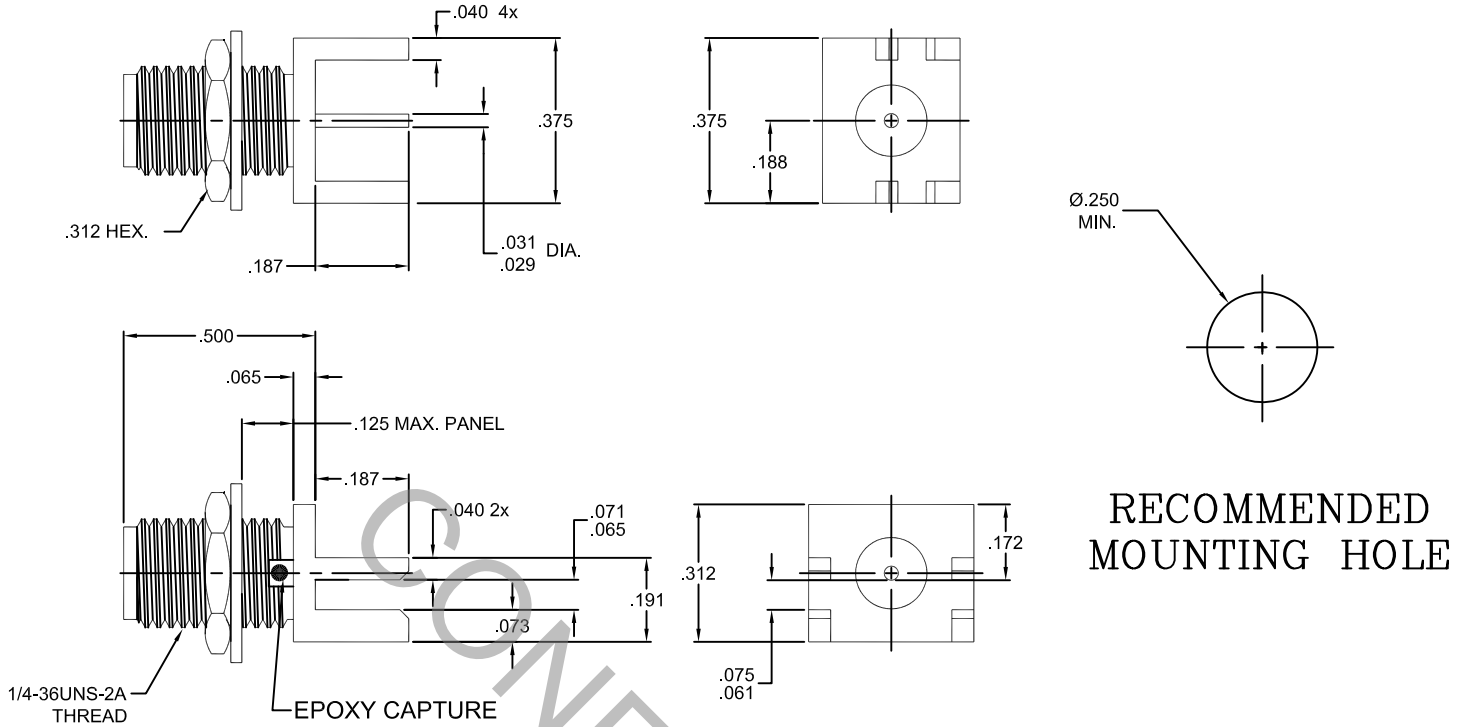


SPECIFICATION CONTROL DRAWING



1. MATING INTERFACE DIMENSIONS Per MIL-STD-348A, Fig. 310.2 (SMA JACK)

2. ELECTRICAL

FREQUENCY RANGE GHz	_____	DC TO 18.0 GHz.
VSWR (MAX) *	_____	N/A
INSERTION LOSS (dB MAX) *	_____	N/A
NOMINAL IMPEDANCE (OHMS)	_____	50
VOLTAGE RATING (MAX. VRMS)	_____	335
RF LEAKAGE (MIN. dB DOWN)	_____	N/A
TEMPERATURE RATING (DEGREES CENTIGRADE)	_____	-65° c TO +165° c
DIELECTRIC WITHSTANDING VOLTAGE (MAX. VRMS)	_____	1,000
INSULATION RESISTANCE (MIN. MEGOHMS)	_____	10,000
CONTACT RESISTANCE		
• CENTER CONTACT (MAX. MILLIOHMS)	_____	3.0
• OUTER CONTACT (MAX. MILLIOHMS)	_____	2.0

* TERMINATED IN A 50 OHM LOAD

RoHS
COMPLIANT

REV.	DCN NO.	DATE	APP.	DIMENSIONS ARE IN INCHES TOLERANCES			 HAVERHILL, MA 01835
AA	13-1837	6/11/13	TS	DECIMALS .X ± .030 .XX ± .010 .XXX ± .005	FRACTIONAL ± 1/64	ANGULAR X° ± 1° 0' X° X' ± 15'	
				SURFACE ROUGHNESS 63 √ MIL-STD 10.			TITLE SMA, JACK STRAIGHT, 4 POST THRU HOLE MOUNT
				DRAWN TS	DATE 6/11/13		
				APPROVED DC	DATE 6/11/13		
				CODE IDENT. 2J899	SHEET 1 OF 2	DWG. NO. 9920-0032-2708	

SPECIFICATION CONTROL DRAWING

3. MECHANICAL

CAPTIVATION-CENTER CONTACT

- MIN. AXIAL FORCE _____ 6.0 LBS.
- MIN. RADIAL TORQUE _____ 4.0 IN./OZ.

CONNECTOR ENGAGEMENT FORCES

- INSERTION (MAX. OUNCES) _____ 48.0
- WITHDRAWAL (MIN. OUNCES) _____ 2.0

CONNECTOR DURABILITY (MIN. MATING) _____ 500

4. ENVIRONMENTAL

TEMPERATURE CYCLING _____ MIL-STD-202, METHOD 102, COND. C (-65 ° c TO + 200 ° c)
SHOCK _____ MIL-STD-202, METHOD 213, COND. I (100 G's)
VIBRATION _____ MIL-STD-202, METHOD 204, COND. D (20 G's)
MOISTURE RESISTANCE _____ MIL-STD-202, METHOD 106, LESS STEP 7b
CORROSION _____ MIL-STD-202, METHOD 101, COND. B (48 HOURS)
BAROMETRIC PRESSURE (ALTITUDE) _____ MIL-STD-202, METHOD 105, COND. C (70,000 FT.) (250 VRMS)

5. MATERIAL

CONNECTOR BODY AND LOCKNUT _____ BRASS PER ASTM B36, TEMPER H02, ALLOY C36000
LOCKWASHER _____ STAINLESS STEEL PER AMS-5640, TYPE 410, COND. A
CENTER CONTACT _____ BERYLLIUM COPPER PER ASTM B 196/B 196M-03, COPPER ALLOY
No. UNS C17300, TEMPER TD04
INSULATOR _____ TEFLON PER ASTM D1710-02, TYPE 1, GRADE 1, CLASS B

6. FINISH

CONNECTOR BODY, HEXNUT AND LOCKWASHER _____ ELECTROLESS NICKEL PER MIL 26074, CLASS 1
(.00010 MIN. THK.) OVER COPPER PER AMS 2418 (.000010 MIN. THK.)
CENTER CONTACT _____ GOLD PER ASTM-B-488, TYPE I, CODE C, CLASS 1.27
(.000050 MIN.) OVER NICKEL PER SAE AMS QQ-N-290, CLASS 1
(.000050 MIN.) OVER COPPER PER AMS 2418 (.000010 MIN. THK.)
INSULATOR _____ N/A