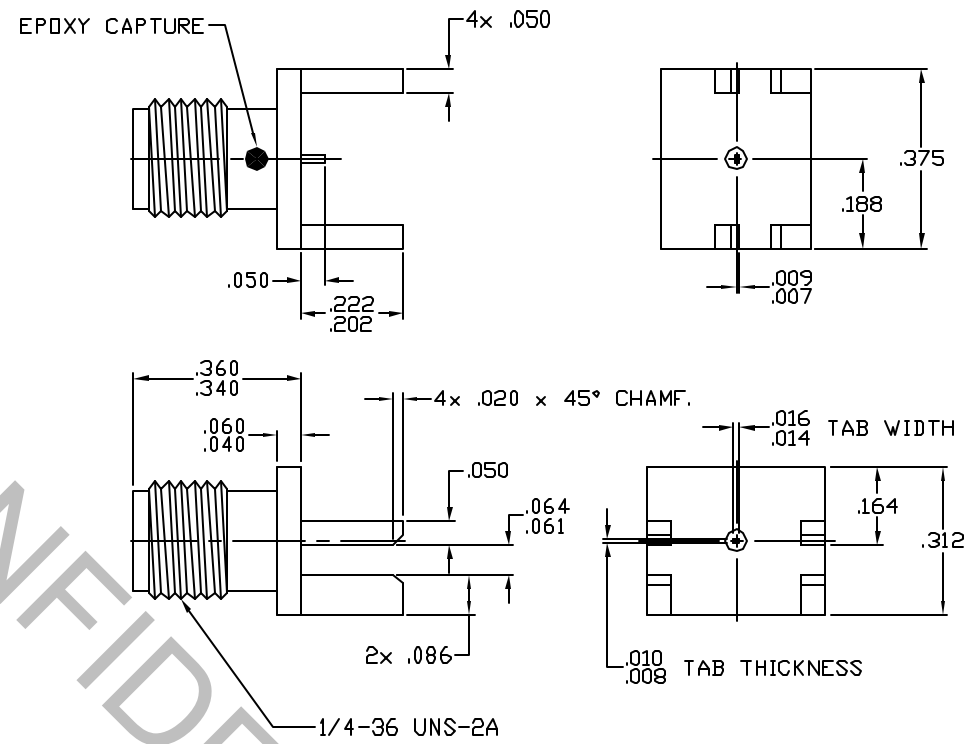


CONNECTOR SERIES: : SMA  
 CENTER CONTACT: : FEMALE SOCKET  
 NOMINAL IMPEDANCE: (OHMS) : 50  
 CABLE ACCOMMODATION: : N/A

CONTACT CAPTIVATION: : 6.0 LBS  
 PCB ATTACHMENT: : SOLDER  
 CONTACT ATTACHMENT: : SOLDER  
 FREQUENCY RANGE: : DC TO 20.0 GHz.  
 QPL SPECIFICATION: : N/A  
 QPL EQUIVALENT: : N/A

MATING CHARACTERISTICS : MIL-STD-348-310.2  
 MATING TORQUE : 7 TO 10 POUND INCHES  
 MOUNTING TORQUE : 4.0 IN./OZ.  
 TEMPERATURE RANGE : -65 / +165 DEGREES C.

ELECTRICAL:  
 VSWR MAXIMUM : 1.20 +.010 x FGHz.  
 INSERTION LOSS MAXIMUM : .05 dB x FGHz.  
 R.F. LEAKAGE MINIMUM : -100 dB - FGHz.  
 INSULATION RESISTANCE : 5,000 MEGOHMS MIN.  
 D.W.V. : 1000 VRMS MAX.



ITEM	MATERIALS	FINISHES
BODY	: BRASS PER ASTM-B-36	: TRI-METAL PLATE
INSULATOR	: PTFE PER ASTM-D-1710	: N/A
CONTACT	: COPPER, BERYLLIUM PER ASTM-B196	: TRI-METAL PLATE

REV.	DCN NUMBER	DATE	APP.
AA	06-2462		

**SPECIFICATION CONTROL DRAWING**



TITLE  
**SMA JACK STR,  
 PCB MOUNT,  
 TAB TERMINAL**

TOLERANCES		
DECIMALS	FRACTIONAL	DEGREES
.X ±.030		X° ±1'
.XX ±.010	± 1/16"	X°X' ±15'
.XXX ±.005		

DRAWN: TS      DATE: 12/4/06  
 APPROVED: DC      DATE: 12/4/06

SCALE	CODE IDENT	SHEET
N/A	2J899	1 of 1

DRAWING NO. **9920-0052-2104**