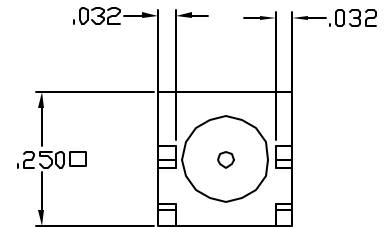
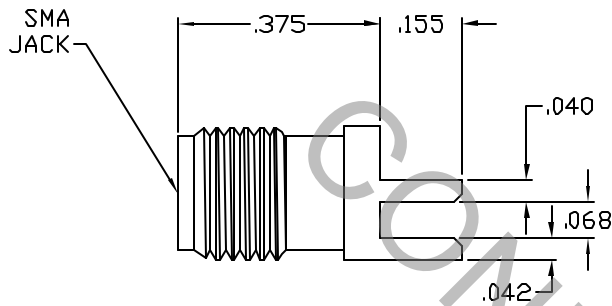
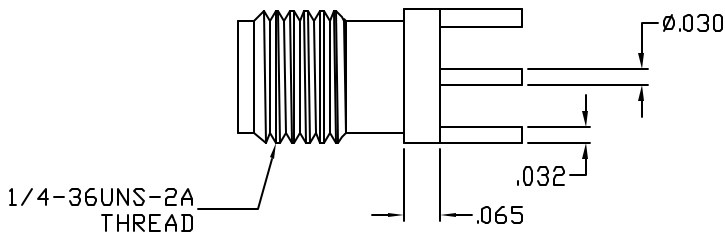


# SPECIFICATION CONTROL DRAWING




1. MATING INTERFACE DIMENSIONS PER MIL-STD-348A (Fig. 310.2) SMA, JACK AND DYNAWAVE SPECIFICATION MD-99.

## 2. ELECTRICAL

FREQUENCY RANGE GHz	DC TO 18.0 GHz.
VSWR (MAX) *	N/A
INSERTION LOSS (dB MAX) *	.05 dB x $\sqrt{\text{FGHz}}$ .
NOMINAL IMPEDANCE (OHMS)	50
VOLTAGE RATING (MAX. VRMS)	335
RF LEAKAGE (MIN. dB DOWN)	100 dB FGHz.
TEMPERATURE RATING (DEGREES CENTIGRADE)	-65° c TO +165° c
DIELECTRIC WITHSTANDING VOLTAGE (MAX. VRMS)	1,000
INSULATION RESISTANCE (MIN. MEGOHMS)	5,000
CONTACT RESISTANCE	
• CENTER CONTACT (MAX. MILLIOHMS)	3.0
• OUTER CONTACT (MAX. MILLIOHMS)	2.0

\* TERMINATED IN A 50 OHM LOAD

REV.	DCN NO.	DATE	APP.	DIMENSIONS ARE IN INCHES TOLERANCES			 HAVERHILL, MA 01835
AA	03-1986	8/7/03	DC	DECIMALS .X ± .030 .XX ± .010 .XXX ± .005	FRACTIONAL ±/64	ANGULAR X° ± 1' 0" X° X' ± 15"	
				SURFACE ROUGHNESS 63 √ MIL-STD 10.			TITLE SMA, JACK EDGE LAUNCH STRAIGHT, P.C. MOUNT PIN TERMINAL
				DRAWN BN DATE 8/6/03			
				APPROVED DC DATE 8/7/03			
				CODE IDENT. 2J899	SHEET 1 OF 2		DWG. NO. 9920-0531-2700

# SPECIFICATION CONTROL DRAWING

## 3. MECHANICAL

### CAPTIVATION-CENTER CONTACT

- MIN. AXIAL FORCE \_\_\_\_\_ 6.0 LBS.
- MIN. RADIAL TORQUE \_\_\_\_\_ N/A

### CONNECTOR ENGAGEMENT FORCES

- INSERTION (MAX. OUNCES) \_\_\_\_\_ 48.0
- WITHDRAWAL (MIN. OUNCES) \_\_\_\_\_ 2.0

CONNECTOR DURABILITY (MIN. MATING) \_\_\_\_\_ 500

## 4. ENVIRONMENTAL

TEMPERATURE CYCLING \_\_\_\_\_ MIL-STD-202, METHOD 102, COND. C ( -65 °c TO + 200 °c )  
SHOCK \_\_\_\_\_ MIL-STD-202, METHOD 213, COND. I (100 G's)  
VIBRATION \_\_\_\_\_ MIL-STD-202, METHOD 204, COND. D (20 G's)  
MOISTURE RESISTANCE \_\_\_\_\_ MIL-STD-202, METHOD 106, LESS STEP 7b  
CORROSION \_\_\_\_\_ MIL-STD-202, METHOD 101, COND. B (48 HOURS)  
BAROMETRIC PRESSURE (ALTITUDE) \_\_\_\_\_ MIL-STD-202, METHOD 105, COND. C ( 70,000 FT. ) ( 190 VRMS )

## 5. MATERIAL

CONNECTOR BODY \_\_\_\_\_ BRASS PER ASTM B36, TEMPER H02, ALLOY C36000  
CENTER CONTACT \_\_\_\_\_ BERYLLIUM COPPER PER ASTM B 193, COPPER ALLOY UNS C17300.  
INSULATOR \_\_\_\_\_ TEFLON PER D 4894

## 6. FINISH

CONNECTOR BODY \_\_\_\_\_ NICKEL PER QQ-N-290, CLASS 1 (.000200 MIN. THK.)  
CENTER CONTACT \_\_\_\_\_ GOLD PER MIL-G-45204, TYPE II, GRADE C, CLASS 2  
(.000010 MIN.) OVER NICKEL PER QQ-N-290, CLASS 1  
(.00010 MIN.) OVER COPPER PER MIL-C-14550 (.000010 MIN.)  
INSULATOR \_\_\_\_\_ N/A