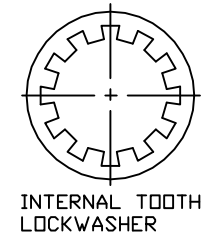
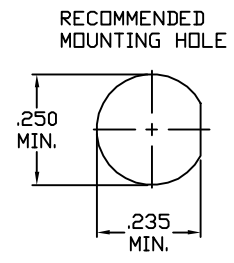
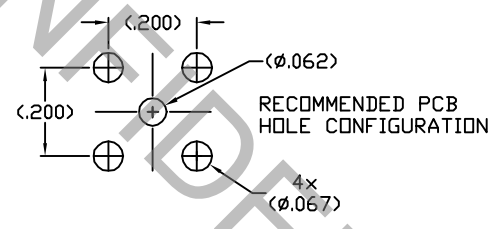
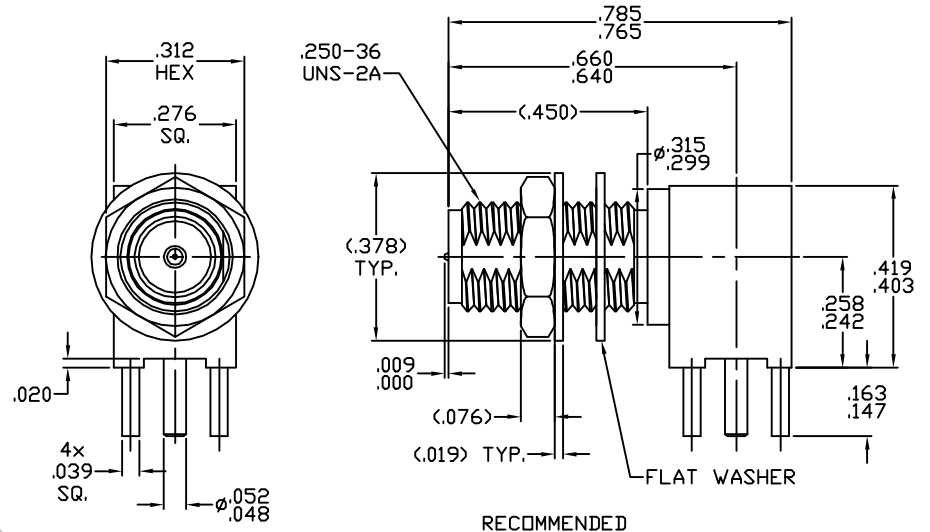


CONNECTOR SERIES: : SMA, POLARIZED
 CENTER CONTACT: : MALE PIN
 NOMINAL IMPEDANCE: (OHMS) : 50
 CABLE ACCOMMODATION: : N/A

CONTACT CAPTIVATION: : 6.0 LBs.
 CABLE ATTACHMENT: : N/A
 CONTACT ATTACHMENT: : SOLDER
 FREQUENCY RANGE: : DC TO 8.0 GHz.
 QPL SPECIFICATION: : N/A
 QPL EQUIVALENT: : N/A

MATING CHARACTERISTICS : FCC SMA JACK
 MATING TORQUE : 7 TO 10 POUND INCHES
 MOUNTING TORQUE : N/A
 TEMPERATURE RANGE : -65 / +165 DEGREES C.

ELECTRICAL:
 VSWR MAXIMUM : $1.10 \times .015 \times F$ (F IN GHz.)
 INSERTION LOSS MAXIMUM : $.040 \times \sqrt{F}$ GHz.
 R.F. LEAKAGE MINIMUM : -100 dB - F
 INSULATION RESISTANCE : 5,000 MEGOHMS MIN.
 D.W.V. : 1000 VRMS MAX.



ITEM	MATERIALS	FINISHES
BODY	: BRASS PER ASTM-B-16	: NICKEL PER QQ-N-290
LOCKNUT	: BRASS PER ASTM-B-16	: NICKEL PER QQ-N-290
LOCKWASHER	: PHOSPHER BRONZE	: NICKEL PER QQ-N-290
FLAT WASHER	: BRASS PER ASTM-B-16	: NICKEL PER QQ-N-290
INSULATOR	: PTFE PER ASTM-D-1710	: N/A
CONTACT	: BRASS PER ASTM-B-16	: GOLD PER ASTM-B-488

REV.	DCN NUMBER	DATE	APP.
AA	04-1941	8/10/04	DC

SPECIFICATION CONTROL DRAWING



TITLE
**SMA JACK,
 RIGHT ANGLE
 PCB, POLARIZED**

TOLERANCES		DRAWN: DC		DATE: 8/10/04	
DECIMALS	FRACTIONAL	DEGREES	APPROVED: DC	DATE: 8/10/04	
.X ±.030		X°1'0"	SCALE	CODE IDENT	SHEET
.XX ±.010	± 1/16"	X°X' ±15'	N/A	2J899	1 of 1
.XXX ±.005					

DRAWING
 NO. **9921-0031-2700**