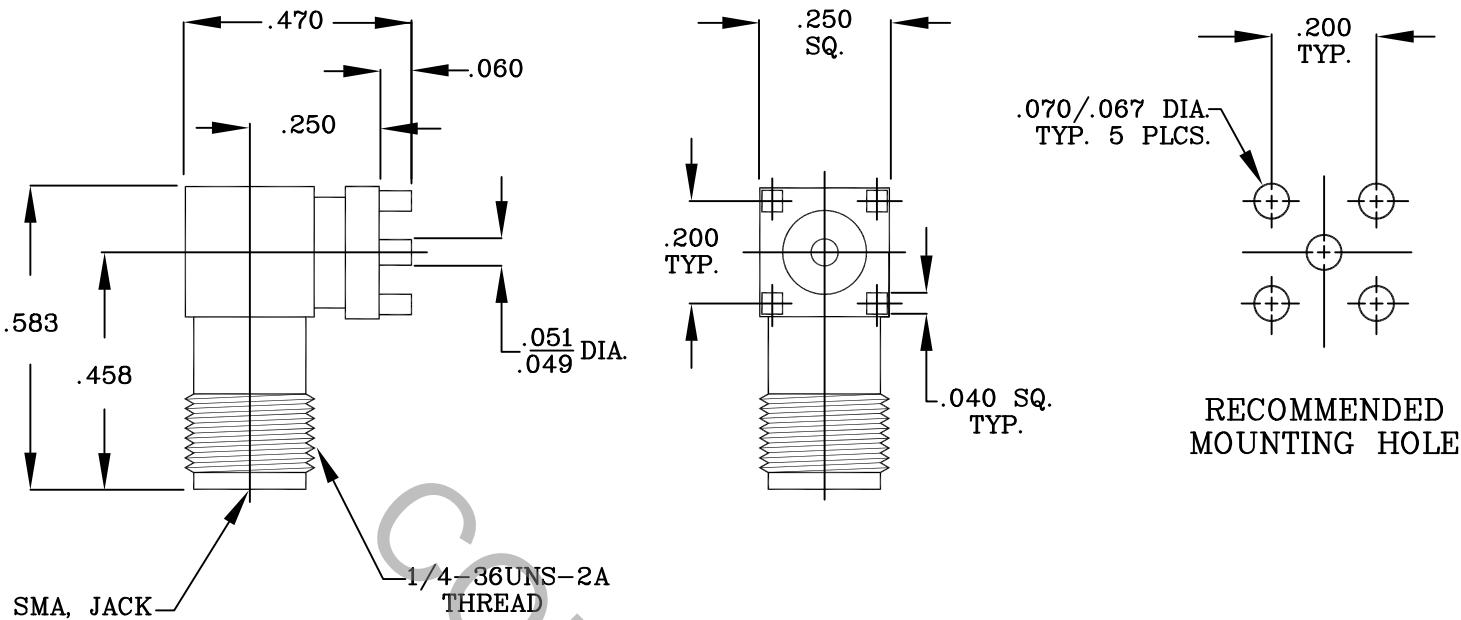


# SPECIFICATION CONTROL DRAWING



1. MATING INTERFACE DIMENSIONS PER MIL-STD-348A Fig. 310.2 (SMA, JACK).

## 2. ELECTRICAL

FREQUENCY RANGE GHz	_____	DC TO 12.5 GHz.
VSWR (MAX) *	_____	N/A
INSERTION LOSS (dB MAX) *	_____	N/A
NOMINAL IMPEDANCE (OHMS)	_____	50
VOLTAGE RATING (MAX. VRMS)	_____	250
RF LEAKAGE (MIN. dB DOWN)	_____	N/A
TEMPERATURE RATING (DEGREES CENTIGRADE)	_____	-65° c TO +165° c
DIELECTRIC WITHSTANDING VOLTAGE (MAX. VRMS)	_____	1,000
INSULATION RESISTANCE (MIN. MEGOHMS)	_____	10,000
CONTACT RESISTANCE		
• CENTER CONTACT (MAX. MILLIOHMS)	_____	3.0
• OUTER CONTACT (MAX. MILLIOHMS)	_____	2.0

\* TERMINATED IN A 50 OHM LOAD

**RoHS**  
COMPLIANT

REV.	DCN NO.	DATE	APP.	DIMENSIONS ARE IN INCHES TOLERANCES			 INCORPORATED HAVERHILL, MA 01835
AA	09-1702	9/15/09	T.S.	DECIMALS	FRACTIONAL	ANGULAR	
				.X ± .030 .XX ± .010 .XXX ± .005	± 1/64	X° ± 1' 0" X° X' ± 15"	TITLE SMA, JACK 4 POST, P.C. MOUNT STRAIGHT TERMINAL
				SURFACE ROUGHNESS 63 √ MIL-STD 10.			
				DRAWN	T.S.	DATE	DWG. NO. 9921-0031-6401
				APPROVED	DC	DATE	
				CODE IDENT.	SHEET 1 OF 2		
				2J899			

# SPECIFICATION CONTROL DRAWING

## 3. MECHANICAL

### CAPTIVATION-CENTER CONTACT

- MIN. AXIAL FORCE \_\_\_\_\_ 6.0 LBS.
- MIN. RADIAL TORQUE \_\_\_\_\_ 4.0 IN. OZ.

### CONNECTOR ENGAGEMENT FORCES

- INSERTION (MAX. OUNCES) \_\_\_\_\_ 48.0
- WITHDRAWAL (MIN. OUNCES) \_\_\_\_\_ 2.0

CONNECTOR DURABILITY (MIN. MATING) \_\_\_\_\_ 500

## 4. ENVIRONMENTAL

TEMPERATURE CYCLING \_\_\_\_\_ MIL-STD-202, METHOD 102, COND. C ( -65 ° c TO + 200 ° c )  
SHOCK \_\_\_\_\_ MIL-STD-202, METHOD 213, COND. I (100 G's)  
VIBRATION \_\_\_\_\_ MIL-STD-202, METHOD 204, COND. D (20 G's)  
MOISTURE RESISTANCE \_\_\_\_\_ MIL-STD-202, METHOD 106, LESS STEP 7b  
CORROSION \_\_\_\_\_ MIL-STD-202, METHOD 101, COND. B (48 HOURS)  
BAROMETRIC PRESSURE (ALTITUDE) \_\_\_\_\_ MIL-STD-202, METHOD 105, COND. C ( 70,000 FT. ) ( 250 VRMS )

## 5. MATERIAL

CONNECTOR BODY \_\_\_\_\_ STAINLESS STEEL PER ASTM A 582, TYPE 303, COND. A  
CENTER CONTACT \_\_\_\_\_ BERYLLIUM COPPER PER ASTM B 196/B, 196M-03, COPPER  
ALLOY No. UNS C17300, TEMPER TD04.  
INSULATOR \_\_\_\_\_ TEFLON PER D 1710-02, TYPE 1, GRADE 1, CLASS B.

## 6. FINISH

CONNECTOR BODY \_\_\_\_\_ GOLD PER ASTM-B-488, TYPE I, CODE C, CLASS 1.25  
(.000050 MIN. THK.) OVER NICKEL per QQ-N-290  
(.000150 MIN. THK.) OVER COPPER per MIL-C-14550  
(.000010 MIN. THK.)

CENTER CONTACT \_\_\_\_\_ GOLD PER ASTM-B-488, TYPE I, CODE C, CLASS 1.25  
(.000050 MIN. THK.) OVER NICKEL per QQ-N-290  
(.000050 MIN. THK.) OVER COPPER per MIL-C-14550  
(.000010 MIN. THK.)

INSULATOR \_\_\_\_\_ N/A