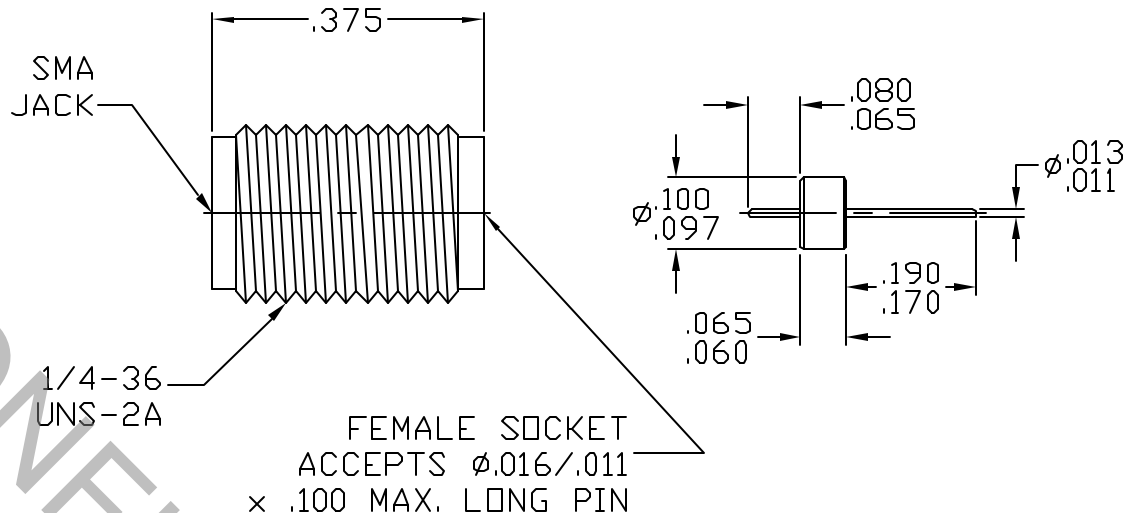


CONNECTOR SERIES: : SMA  
 CENTER CONDUCTOR: : FEMALE SOCKET  
 NOMINAL IMPEDANCE: (OHMS) : 50  
 CABLE ACCOMODATION: : N/A

CONTACT CAPTIVATION: : 4.5 LBS.  
 CABLE ATTACHMENT: : N/A  
 CONTACT ATTACHMENT: : N/A  
 FREQUENCY RANGE: : DC TO 18 GHz.  
 QPL SPECIFICATION: : N/A  
 QPL EQUIVALENT: : N/A

MATING CHARACTERISTICS : MIL-STD-348-310-2  
 MATING TORQUE : 7 TO 10 POUND INCHES  
 MOUNTING TORQUE : 15 TO 18 POUND INCHES  
 TEMPERATURE RANGE : -65 / +165 DEGREES C.

ELECTRICAL:  
 VSWR MAXIMUM : 1.07 x F<sup>.05</sup> (F IN GHz)  
 INSERTION LOSS MAXIMUM : .015 x F<sup>.5</sup> (F IN GHz)  
 R.F. LEAKAGE MINIMUM : -100 dB  
 D.C. RESISTANCE : 5,000 MOHMS MINIMUM



ITEM	MATERIALS	FINISHES
BODY	: 303 STAINLESS PER ASTM-A-582	: PASSIVATE PER QQ-P-35
GLASS	: CORNING 7052	: N/A
GLASS PIN	: KOVAR	: GOLD PER ASTM-B-488
GLASS RING	: KOVAR	: GOLD PER ASTM-B-488
INSULATOR	: PTFE PER ASTM-D-1710	: N/A
CONTACT	: COPPER, BERYLLIUM PER ASTM-B196	: GOLD PER ASTM-B-488

REV.	DCN NUMBER	DATE	APP.
AA	04-1093	1/23/04	DC

## SPECIFICATION CONTROL DRAWING

**dynawave.**  
INCORPORATED  
 Haverhill, MA. 01835

TITLE  
**SMA JACK SPARK  
 PLUG WITH Ø.012  
 GLASS FEED THROUGH**

DECIMALS : .X ±.030  
 .XX ±.010  
 .XXX ±.005

TOLERANCES  
 FRACTIONAL : ± 1/16"

DEGREES : X<sup>°</sup> ± 1°  
 X<sup>°</sup>X' ± 15'

DRAWN: DC      DATE: 1/23/04

APPROVED: DC      DATE: 1/23/04

SCALE	CODE IDENT	SHEET
N/A	2J899	1 of 1

DRAWING  
 NO. **9930-0012-6200**