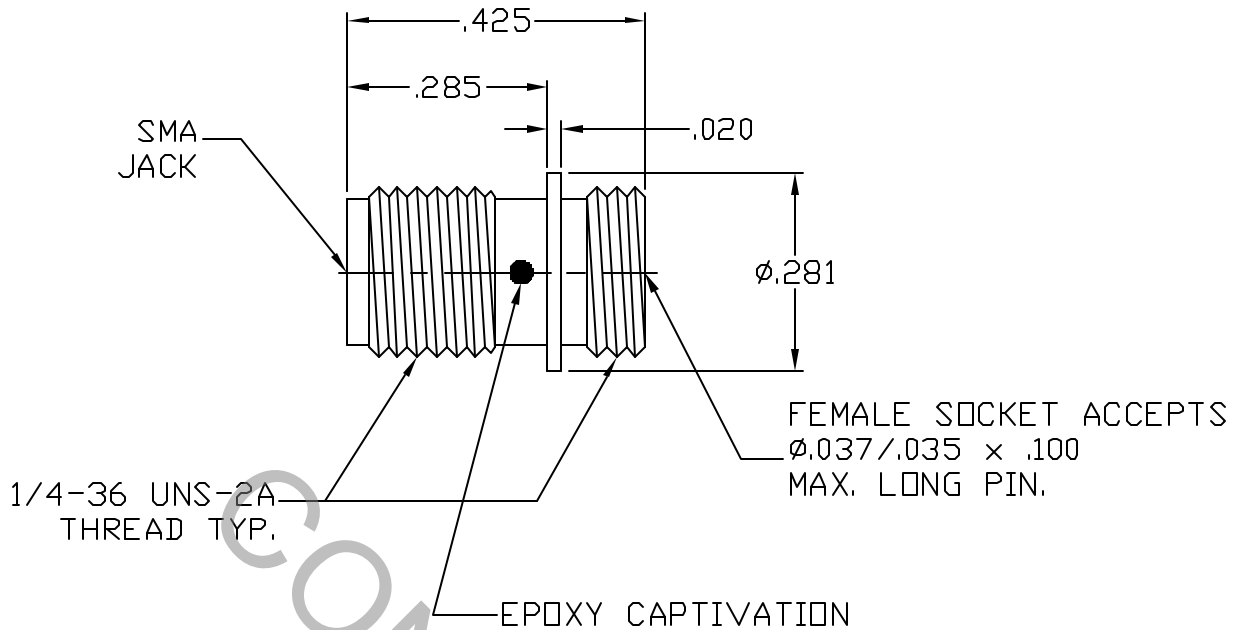


SPECIFICATION CONTROL DRAWING



1. MATING INTERFACE DIMENSIONS FOR SMA JACK per MIL-STD-348 (Fig. 310-2).

2. ELECTRICAL

FREQUENCY RANGE GHz	DC TO 26.5 GHz
VSWR (MAX.) *	1.05 + .006 x FGHz
INSERTION LOSS (dB MAX.) *	.03 dB x √FGHz
NOMINAL IMPEDANCE (OHMS)	50
VOLTAGE RATING (MAX. VRMS)	250
RF LEAKAGE (MIN. dB DOWN)	100 dB - FGHz
TEMPERATURE RATING (DEGREES CENTIGRADE)	-85°C TO + 185°C
DIELECTRIC WITHSTANDING VOLTAGE (MAX. VRMS)	750
INSULATION RESISTANCE (MIN. MEGOHMS)	10,000
CONTACT RESISTANCE	
• CENTER CONTACT (MAX. MILLIOHMS)	6.0
• OUTER CONTACT (MAX. MILLIOHMS)	2.0

* TERMINATED IN A 50 OHM LOAD

REV.	DCN NO.	DATE	APP.	DIMENSIONS ARE IN INCHES TOLERANCES			 HAVERTHILL, MA 01835	
AA	03-2380	11/3/03	DC	DECIMALS X ± .030 XX ± .010 XXX ± .005	FRACTIONAL ± 1/64	ANGULAR X ° ± 1'0" X ° X' ± 15'		
				DRAWN	DC	DATE	11/3/03	TITLE SMA, JACK FIELD REPLACEABLE SCREW-IN MIC. PACKAGE
				APPROVED	DC	DATE	11/3/03	
				CODE IDENT.	SHEET 1 OF 2		DWG. NO.	9930-0082-6200
				2J899				

SPECIFICATION CONTROL DRAWING

3. MECHANICAL

CAPTIVATION-CENTER CONTACT

MAX. AXIAL FORCE _____ 8.0 LBS.

MAX. RADIAL TORQUE _____ 2.5 IN. OZ.

CENTER CONTACT AXIAL FORCES

● INSERTION (MAX. OUNCES) _____ INTERFACE 48.0; REAR 32.0

● WITHDRAWAL (MIN. OUNCES) _____ INTERFACE 2.0; REAR 1.0

CONNECTOR ENGAGEMENT/DISENGAGEMENT (MAX. IN. LBS.) _____ 2.0

CONNECTOR DURABILITY (MIN. CYCLES) _____ 500

RECOMMENDED MATING TORQUE

INTERFACE _____ 7 - 10 INCH LBS.

PACKAGE _____ 17 - 19 INCH LBS.

4. ENVIRONMENTAL

TEMPERATURE CYCLING _____ MIL-STD-202, METHOD 102, COND. C (-65° c TO +200° c)

SHOCK _____ MIL-STD-202, METHOD 213, COND. I (100 G's)

VIBRATION _____ MIL-STD-202, METHOD 204, COND. D (20 G's)

MOISTURE RESISTANCE _____ MIL-STD-202, METHOD 106, LESS STEP 7b

CORROSION _____ MIL-STD-202, METHOD 101, COND. B (48 HOURS)

BAROMETRIC PRESSURE (ALTITUDE) _____ MIL-STD-202, METHOD 105, COND. C (70,000 FT.) (190 VRMS)

5. MATERIAL

BODY _____ STAINLESS STEEL PER AMS-5640, TYPE 303, COND. A

CONTACT _____ BERYLLIUM COPPER PER QQ-C-530, ALLOY 173, COND. H.T.

INSULATOR _____ TEFLON PER MIL-P-1946B, AND L-P-403, TYPE I

6. FINISH

BODY _____ PASSIVATE PER QQ-P-35A, TYPE I

CONTACT _____ GOLD per MIL-G-45204, TYPE II, GRADE C, CLASS 2
(.000100 Minimum Thickness) OVER NICKEL per
QQ-N-290, CLASS 1 (.000100 Minimum Thickness) OVER
COPPER per MIL-C-14550 (.000010 Minimum Thickness).

INSULATOR _____ N/A