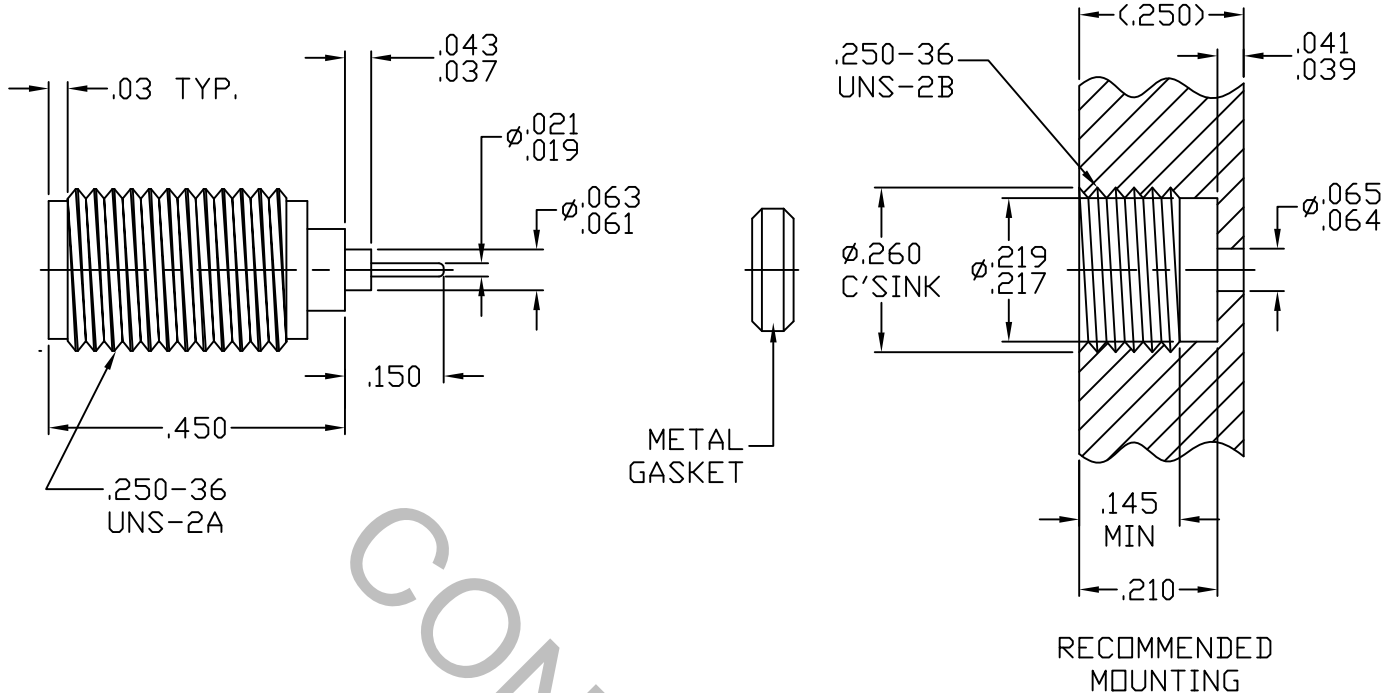


SPECIFICATION CONTROL DRAWING




1. MATING INTERFACE DIMENSIONS per MIL-STD-348 Fig. 310.2 (SMA JACK).

2. ELECTRICAL

FREQUENCY RANGE GHz	_____	DC TO 26.5 GHz
VSWR (MAX.) *	_____	1.04 + .008 x FGHz.
INSERTION LOSS (dB MAX.)	_____	.04 dB x $\sqrt{\text{FGHz}}$
NOMINAL IMPEDANCE (OHMS)	_____	50
VOLTAGE RATING (MAX. VRMS)	_____	250
RF LEAKAGE (MIN. dB DOWN)	_____	-100 dB - FGHz
TEMPERATURE RATING (DEGREES CENTIGRADE)	_____	-65°c TO + 165°c
DIELECTRIC WITHSTANDING VOLTAGE (MAX. VRMS)	_____	750
INSULATION RESISTANCE (MIN. MEGOHMS)	_____	10,000
CONTACT RESISTANCE		
• CENTER CONTACT (MAX. MILLIOHMS)	_____	12.0
• OUTER CONTACT (MAX. MILLIOHMS)	_____	2.0

* TERMINATED IN A 50 OHM LOAD

RoHS
COMPLIANT

REV.	DCN NO.	DATE	APP.	DIMENSIONS ARE IN INCHES			 HAVERHILL MA. 01835
				DECIMALS	FRACTIONAL	ANGULAR	
-	317	3/87	CDM	.X ± .030 .XX ± .010 .XXX ± .005	± 1/64	X ° ± 1'0" X ° X' ± 15'	
A	530	1/88	DGG				
AA	09-1195	3/3/09	DC	DRAWN	CDM	DATE	3/87
				APPROVED	DGG	DATE	3/87
				CODE IDENT.		SHEET	1 OF 2
				2J899		DWG. NO.	9930-0431-6227
				TITLE			SMA JACK SPARK PLUG HERMETICALLY SEALED WITH METAL GASKET

SPECIFICATION CONTROL DRAWING

3. MECHANICAL

CAPTIVATION-CENTER CONTACT

MAX AXIAL FORCE _____ 6.0 LBS.

MAX RADIAL TORQUE _____ N/A

CENTER CONTACT AXIAL FORCES

● INSERTION (MAX OUNCES) _____ 48.0

● WITHDRAWAL (MIN. OUNCES) _____ 2.0

CONNECTOR ENGAGEMENT/DISENGAGEMENT (MAX. IN. LBS.)— 2.0

CONNECTOR DURABILITY (MIN. CYCLES) _____ 500

RECOMMENDED MATING TORQUE

● INTERFACE _____ 7 - 10 IN. LBS.

● PACKAGE _____ 20 - 23 IN. LBS.

4. ENVIRONMENTAL

TEMPERATURE CYCLING _____ MIL-STD-202, METHOD 102, COND. C (-65° c TO +200° c)

SHOCK _____ MIL-STD-202, METHOD 213, COND. I (100 G's)

VIBRATION _____ MIL-STD-202, METHOD 204, COND. D (20 G's)

MOISTURE RESISTANCE _____ MIL-STD-202, METHOD 106, LESS STEP 7b

CORROSION _____ MIL-STD-202, METHOD 101, COND. B (48 HOURS)

BAROMETRIC PRESSURE (ALTITUDE) _____ MIL-STD-202, METHOD 105, COND. C (70,000 FT.) (190 VRMS)

HERMETICITY _____ 1×10^{-8} cc/SEC.

5. MATERIAL

BODY _____ STAINLESS STEEL PER AMS-5640, TYPE 303, COND. A
CONTACT _____ BERYLLIUM COPPER PER QQ-C-530, ALLOY 173, COND. H.T.
INSULATOR _____ TEFLON PER ASTM D 1710.
GLASS PIN _____ KOVAR PER MIL-I-23011
GLASS _____ CORNING 7070
METAL GASKET _____ CARBON STEEL PER B1113, CASE HARDENED

6. FINISH

BODY _____ PASSIVATE PER AMS QQ-P-35, TYPE 2.
GLASS PIN _____ GOLD PER ASTM-B-488, TYPE 1, CODE C, CLASS 1.25
(.000050 MIN. THK.) OVER NICKEL PER QQ-N-290,
(.000150 MIN. THK.)
CONTACT _____ GOLD PER ASTM-B-488, TYPE 1, CODE C, CLASS 2.5
(.00010 MIN. THK.) OVER NICKEL PER QQ-N-290
(.000050 MIN. THK.) OVER COPPER PER MIL-C-14550
(.000010 MIN. THK.)
METAL GASKET _____ NICKEL PER MIL-C-28074, CLASS 1, (.000100 MIN. THK.)
OVER COPPER PER MIL-C-14550, CLASS 4
(.000100 MIN. THK.)
GLASS AND INSULATOR _____ N/A