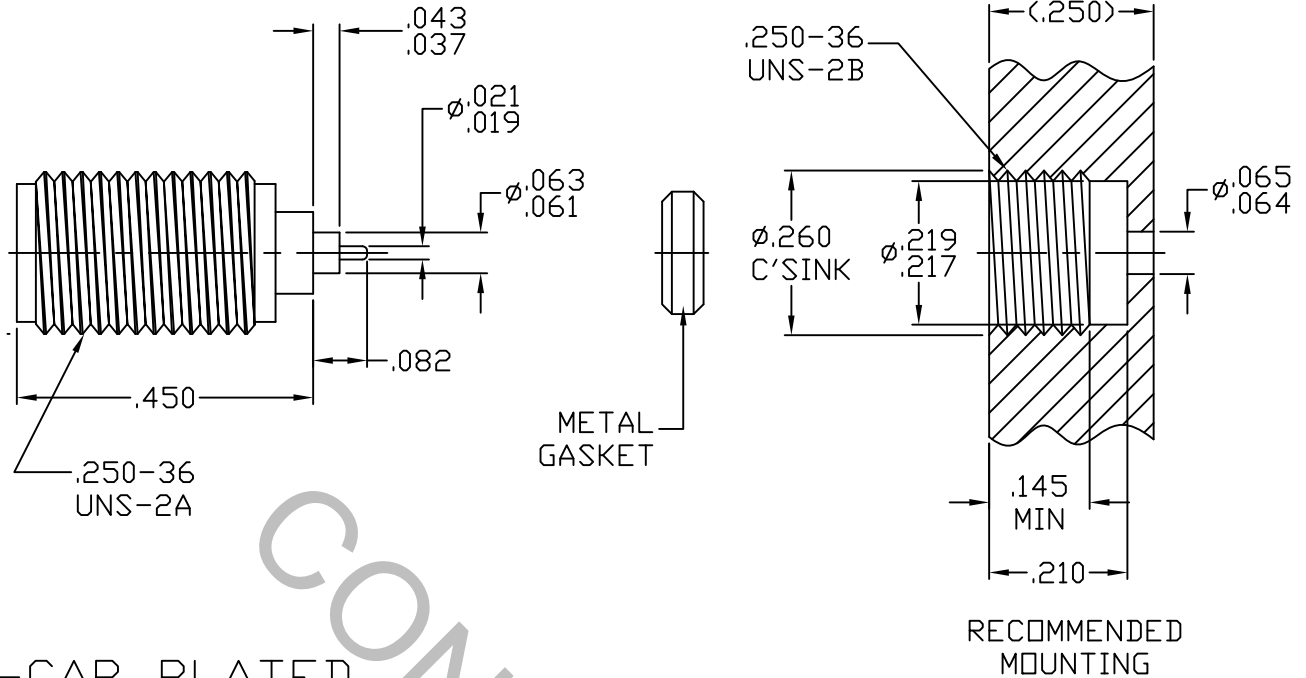


# SPECIFICATION CONTROL DRAWING



NAD-CAP PLATED

1. MATING INTERFACE DIMENSIONS per MIL-STD-348 Fig. 310.2 (SMA JACK).

2. ELECTRICAL

FREQUENCY RANGE GHz	_____	DC TO 26.5 GHz
VSWR (MAX) *	_____	1.04 + .008 x FGHz.
INSERTION LOSS (dB MAX.)	_____	.04 dB x $\sqrt{\text{FGHz}}$
NOMINAL IMPEDANCE (OHMS)	_____	50
VOLTAGE RATING (MAX. VRMS)	_____	250
RF LEAKAGE (MIN. dB DOWN)	_____	-100 dB - FGHz
TEMPERATURE RATING (DEGREES CENTIGRADE)	_____	-65°c TO + 165°c
DIELECTRIC WITHSTANDING VOLTAGE (MAX. VRMS)	_____	750
INSULATION RESISTANCE (MIN. MEGOHMS)	_____	10,000
CONTACT RESISTANCE		
• CENTER CONTACT (MAX. MILLIOHMS)	_____	12.0
• OUTER CONTACT (MAX. MILLIOHMS)	_____	2.0

\* TERMINATED IN A 50 OHM LOAD

**RoHS**  
COMPLIANT

This Document contains proprietary and confidential information.

REV.	DCN NO.	DATE	APP.	DIMENSIONS ARE IN INCHES TOLERANCES			 HAVERHILL MA. 01835
				DECIMALS	FRACTIONAL	ANGULAR	
AA	04-1185	2/11/04	DC	.X ± .030		X ° ± 1° 0'	
AB	15-1291	2/26/15	TS	.XX ± .010	± 1/64	X ° X' ± 15'	
				DRAWN	DC	DATE 2/11/04	TITLE SMA JACK SPARK PLUG HERMETICALLY SEALED WITH METAL GASKET
				APPROVED	DC	DATE 2/11/04	
				CODE IDENT.			DWG. NO. 9930-0431-6228
				2J899	SHEET 1 OF 2		

# SPECIFICATION CONTROL DRAWING

## 3. MECHANICAL

### CAPTIVATION-CENTER CONTACT

MAX AXIAL FORCE \_\_\_\_\_ 6.0 LBS.

MAX RADIAL TORQUE \_\_\_\_\_ N/A

### CENTER CONTACT AXIAL FORCES

● INSERTION (MAX OUNCES) \_\_\_\_\_ 48.0

● WITHDRAWAL (MIN. OUNCES) \_\_\_\_\_ 2.0

CONNECTOR ENGAGEMENT/DISENGAGEMENT (MAX. IN. LBS.) — 2.0

CONNECTOR DURABILITY (MIN. CYCLES) \_\_\_\_\_ 500

### RECOMMENDED MATING TORQUE

● INTERFACE \_\_\_\_\_ 7 - 10 IN. LBS.

● PACKAGE \_\_\_\_\_ 20 - 23 IN. LBS.

## 4. ENVIRONMENTAL

TEMPERATURE CYCLING \_\_\_\_\_ MIL-STD-202, METHOD 102, COND. C ( -65° c TO +200° c )

SHOCK \_\_\_\_\_ MIL-STD-202, METHOD 213, COND. I (100 G's)

VIBRATION \_\_\_\_\_ MIL-STD-202, METHOD 204, COND. D (20 G's)

MOISTURE RESISTANCE \_\_\_\_\_ MIL-STD-202, METHOD 106, LESS STEP 7b

CORROSION \_\_\_\_\_ MIL-STD-202, METHOD 101, COND. B (48 HOURS)

BAROMETRIC PRESSURE (ALTITUDE) \_\_\_\_\_ MIL-STD-202, METHOD 105, COND. C ( 70,000 FT. ) ( 190 VRMS )

HERMETICITY \_\_\_\_\_  $1 \times 10^{-8}$  cc/SEC.

## 5. MATERIAL

BODY \_\_\_\_\_ STAINLESS STEEL PER ASTM A 581, TYPE 303, COND. A

CONTACT \_\_\_\_\_ BERYLLIUM COPPER PER ASTM B 196/B, 196M-03, COPPER ALLOY NO. UNS C17300, TEMPER TD04.

INSULATOR \_\_\_\_\_ TEFLON PER ASTM D 1710-02, TYPE 1, GRADE 1, CLASS B.

GLASS PIN \_\_\_\_\_ KOVAR PER MIL-I-23011

GLASS \_\_\_\_\_ CORNING 7070

METAL GASKET \_\_\_\_\_ CARBON STEEL PER B1113, CASE HARDENED

## 6. FINISH

BODY \_\_\_\_\_ PASSIVATE PER AMS 2700, TYPE 2, CLASS 4.

GLASS PIN \_\_\_\_\_ GOLD PER ASTM-B-488, TYPE 1, CODE C, CLASS 1.25  
(.000050 MIN. THK.) OVER COPPER PER AMS 2418 (.000010 MIN. THK.)

CONTACT \_\_\_\_\_ GOLD PER ASTM-B-488, TYPE 1, CODE C, CLASS 1.25  
(.000050 MIN. THK.) OVER NICKEL PER SAE AMS QQ-N-290, CLASS 1  
(.000050 MIN. THK.) OVER COPPER PER AMS 2418 (.000010 MIN. THK.)

METAL GASKET \_\_\_\_\_ SILVER PER QQ-S-365 TYPE II, GADE B, (.0001 MIN. THK.)  
OVER NICKEL PER MIL-C-26074, CLASS 1 (.0001 MIN. THK.)

GLASS AND INSULATOR \_\_\_\_\_ N/A