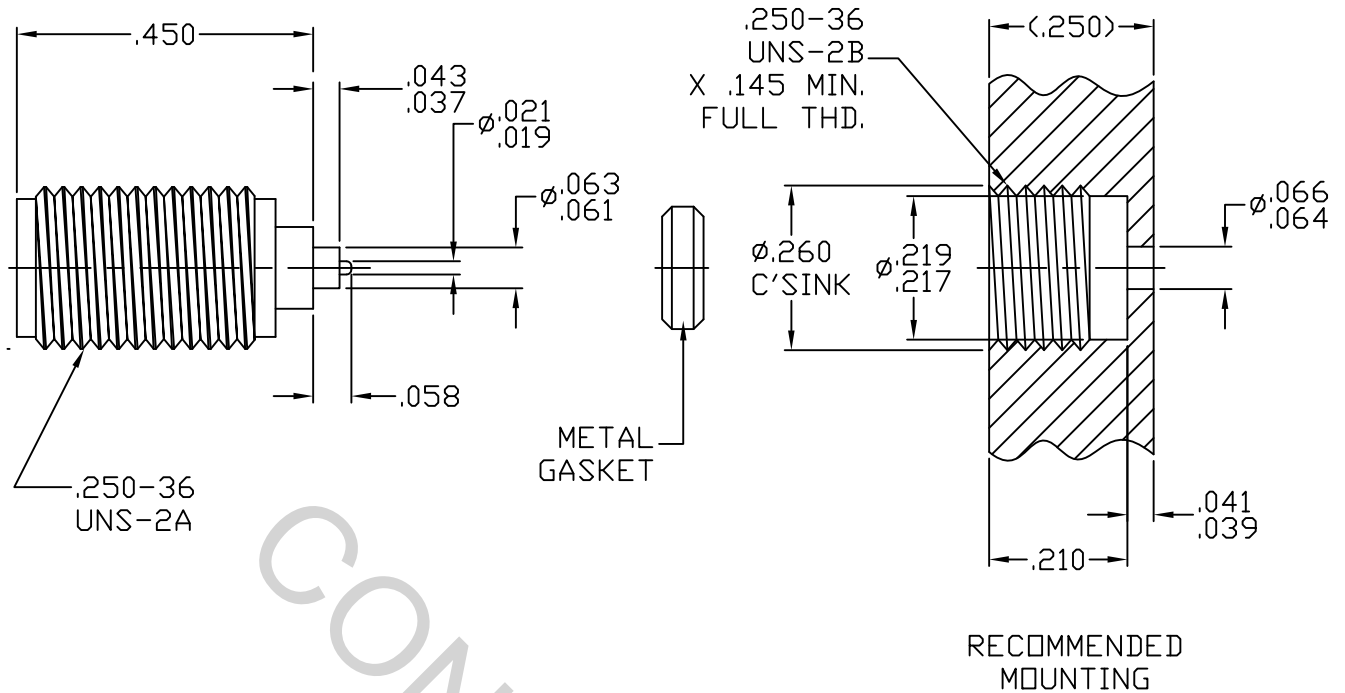


SPECIFICATION CONTROL DRAWING



1. MATING INTERFACE DIMENSIONS per MIL-STD-348 Fig. 310.2 (SMA JACK).


2. ELECTRICAL

FREQUENCY RANGE GHz	_____	DC TO 26.5 GHz
VSWR (MAX) *	_____	1.04 + .008 x FGHz.
INSERTION LOSS (dB MAX.)	_____	.04 dB x $\sqrt{\text{FGHz}}$
NOMINAL IMPEDANCE (OHMS)	_____	50
VOLTAGE RATING (MAX. VRMS)	_____	250
RF LEAKAGE (MIN. dB DOWN)	_____	-100 dB - FGHz
TEMPERATURE RATING (DEGREES CENTIGRADE)	_____	-65°c TO + 165°c
DIELECTRIC WITHSTANDING VOLTAGE (MAX. VRMS)	_____	750
INSULATION RESISTANCE (MIN. MEGOHMS)	_____	10,000
CONTACT RESISTANCE		
• CENTER CONTACT (MAX. MILLIOHMS)	_____	12.0
• OUTER CONTACT (MAX. MILLIOHMS)	_____	2.0

* TERMINATED IN A 50 OHM LOAD

RoHS
COMPLIANT

This Document contains proprietary and confidential information.

REV.	DCN NO.	DATE	APP.	DIMENSIONS ARE IN INCHES TOLERANCES			 HAVERHILL MA. 01835
				DECIMALS	FRACTIONAL	ANGULAR	
-	321	5/87	DGG	.X ± .030 .XX ± .010 .XXX ± .005	± 1/64	X ° ± 1'0" X ° X' ± 15'	
A	610	11/88	DGG				
B	640	2/89	DGG	DRAWN	CDM	DATE	8/85
AA	18-1735	4/26/16	DC	APPROVED	DGG	DATE	8/85
				CODE IDENT.	SHEET 1 OF 2		DWG. NO. 9930-0431-6422
				2J899			

SPECIFICATION CONTROL DRAWING

3. MECHANICAL

CAPTIVATION-CENTER CONTACT

MAX AXIAL FORCE _____ 6.0 LBS.

MAX RADIAL TORQUE _____ N/A

CENTER CONTACT AXIAL FORCES

● INSERTION (MAX OUNCES) _____ 48.0

● WITHDRAWAL (MIN. OUNCES) _____ 2.0

CONNECTOR ENGAGEMENT/DISENGAGEMENT (MAX. IN. LBS.) — 2.0

CONNECTOR DURABILITY (MIN. CYCLES) _____ 500

RECOMMENDED MATING TORQUE

● INTERFACE _____ 7 - 10 IN. LBS.

● PACKAGE _____ 20 - 23 IN. LBS.

4. ENVIRONMENTAL

TEMPERATURE CYCLING _____ MIL-STD-202, METHOD 102, COND. C (-65° c TO + 200° c)

SHOCK _____ MIL-STD-202, METHOD 213, COND. I (100 G's)

VIBRATION _____ MIL-STD-202, METHOD 204, COND. D (20 G's)

MOISTURE RESISTANCE _____ MIL-STD-202, METHOD 106, LESS STEP 7b

CORROSION _____ MIL-STD-202, METHOD 101, COND. B (48 HOURS)

BAROMETRIC PRESSURE (ALTITUDE) _____ MIL-STD-202, METHOD 105, COND. C (70,000 FT.) (190 VRMS)

HERMETICITY _____ 1×10^{-8} cc/SEC.

5. MATERIAL

BODY _____ STAINLESS STEEL PER ASTM A 582, TYPE 303, COND. A

CONTACT _____ BERYLLIUM COPPER PER ASTM B 196/B, 196M-03, COPPER ALLOY No. UNS 17300, TEMPER TD04.

INSULATOR _____ TEFLON PER ASTM D 1710.-02, TYPE 1, GRADE 1, CLASS B.

GLASS PIN _____ KOVAR PER MIL-I-23011

GLASS _____ CORNING 7070

METAL GASKET _____ CARBON STEEL PER B1113, CASE HARDENED

6. FINISH

BODY AND GLASS PIN _____ GOLD PER ASTM-B-488, TYPE II, CODE C, CLASS 1.27 (.000050 MIN. THK.) OVER NICKEL PER QQ-N-290, CLASS 1 (.000150 MIN. THK.) OVER COPPER PER AMS 2418 (.000010 MIN. THK.)

CONTACT _____ GOLD PER ASTM-B-488, TYPE II, CODE C, CLASS 1.27 (.000050 MIN. THK.) OVER NICKEL PER QQ-N-290, CLASS 1 (.000050 MIN. THK.) OVER COPPER PER AMS 2418 (.000010 MIN. THK.)

METAL GASKET _____ NICKEL PER MIL-C-26074, CLASS 1, (.00010 MIN. THK.) OVER COPPER PER AMS-2418, CLASS 4 (.00010 MIN. THK.) OVER NICKEL (WOODS OR WATTS), (.000010 MIN. THK.)

GLASS AND INSULATOR _____ N/A