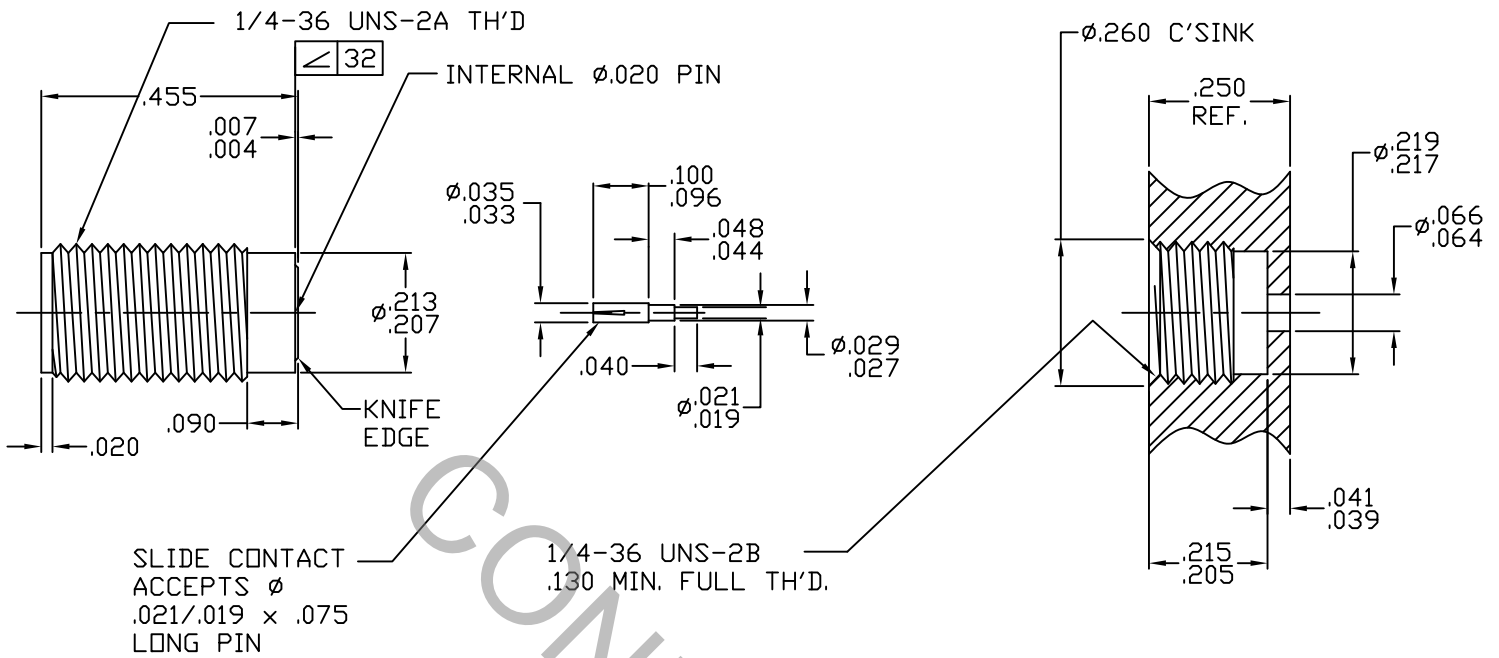


SPECIFICATION CONTROL DRAWING




1. MATING INTERFACE DIMENSIONS PER MIL-STD-348 Fig. 310-2 (SMA, JACK).

2. ELECTRICAL

FREQUENCY RANGE GHz	_____	DC TO 26.5 GHz
VSWR (MAX) *	_____	1.05 + .006 x FGHz.
INSERTION LOSS (dB MAX.)	_____	.04 dB x $\sqrt{\text{FGHz}}$
NOMINAL IMPEDANCE (OHMS)	_____	50
VOLTAGE RATING (MAX. VRMS)	_____	250
RF LEAKAGE (MIN. dB DOWN)	_____	100 dB - FGHz
TEMPERATURE RATING (DEGREES CENTIGRADE)	_____	-65°c TO + 165°c
DIELECTRIC WITHSTANDING VOLTAGE (MAX. VRMS)	_____	750
INSULATION RESISTANCE (MIN. MEGOHMS)	_____	10,000
CONTACT RESISTANCE		
• CENTER CONTACT (MAX. MILLIOHMS)	_____	12.0
• OUTER CONTACT (MAX. MILLIOHMS)	_____	2.0

* TERMINATED IN A 50 OHM LOAD

RoHS
COMPLIANT

REV.	DCN NO.	DATE	APP.	DIMENSIONS ARE IN INCHES TOLERANCES			 HAVERHILL, MA. 01835
				DECIMALS	FRACTIONAL	ANGULAR	
AA	07-1764	7/31/07	TS	.X ± .030 .XX ± .010 .XXX ± .005	±/64	X ° ± 10' X ° X' ± 15'	TITLE SMA, JACK, HERMETICALLY SEALED KNIFE EDGE, SLIDING CONTACT
BA	10-1265	3/10/10	DC				
				DRAWN	TS	DATE 7/31/07	
				APPROVED	DC	DATE 7/31/07	
				CODE IDENT.			DWG. NO. 9930-0441-6240
				2J899		SHEET 1 OF 2	

SPECIFICATION CONTROL DRAWING

3. MECHANICAL

CAPTIVATION-CENTER CONTACT

MAX AXIAL FORCE _____ 6.0 LBS.

MAX RADIAL TORQUE _____ N/A

CENTER CONTACT AXIAL FORCES

● INSERTION (MAX OUNCES) _____ 48.0 INTERFACE; 32.0 SLIDE

● WITHDRAWAL (MIN. OUNCES) _____ 2.0 INTERFACE; 1.0 SLIDE

CONNECTOR ENGAGEMENT/DISENGAGEMENT (MAX IN. LBS.) _____ 2.0

CONNECTOR DURABILITY (MIN. CYCLES) _____ 500

RECOMMENDED MATING TORQUE

● INTERFACE _____ 7 - 10 IN. LBS.

● PACKAGE _____ 20 - 23 IN. LBS.

4. ENVIRONMENTAL

TEMPERATURE CYCLING _____ MIL-STD-202, METHOD 102, COND. C (-65° c TO +200° c)

SHOCK _____ MIL-STD-202, METHOD 213, COND. I (100 G's)

VIBRATION _____ MIL-STD-202, METHOD 204, COND. D (20 G's)

MOISTURE RESISTANCE _____ MIL-STD-202, METHOD 106, LESS STEP 7b

CORROSION _____ MIL-STD-202, METHOD 101, COND. B (48 HOURS)

BAROMETRIC PRESSURE (ALTITUDE) _____ MIL-STD-202, METHOD 105, COND. C (70,000 FT.) (190 VRMS)

HERMETICITY _____ 1×10^{-8} cc/SEC.

5. MATERIAL

BODY _____ STAINLESS STEEL PER AMS-5640, TYPE 303, COND. A

CONTACTS _____ BERYLLIUM COPPER PER ASTM B196/B, 196M-03, COPPER ALLOY No. UNS 17300, TEMPER TD04.

INSULATOR _____ TEFLON PER ASTM D1710-02, TYPE 1, GRADE 1, CLASS B.

GLASS PIN _____ KOVAR PER MIL-I-23011

GLASS _____ CORNING 7070

METAL GASKET _____ CARBON STEEL PER B1113, CASE HARDENED

6. FINISH

BODY _____ PASSIVATE PER AMS QQ-P-35, TYPE 2.

GLASS PIN _____ GOLD per ASTM-B-488, TYPE I, CODE C, CLASS 1.25 OVER COPPER per MIL-C-14550 (.000015 MIN. THK.) OVER NICKEL PER QQ-N-290, (.00010 MIN. THK.)

CONTACTS _____ GOLD per ASTM-B-488, TYPE I, CODE C, CLASS 2.5 (.000050 MIN. THK.) OVER NICKEL PER QQ-N-290 (.00010 MIN. THK.) OVER COPPER PER MIL-C-14550 (.000040 MIN. THK.)

METAL GASKET _____ NICKEL PER MIL-C-26074, CLASS 1, (.0001 MIN. THK.) OVER COPPER PER MIL-C-14550, CLASS 4

GLASS AND INSULATOR _____ N/A

SLIDING CONTACT _____ GOLD per ASTM-B-488, TYPE I, CODE C, CLASS 1.25 (.000050 - .000075 THK.) OVER NICKEL PER QQ-N-290 (.00010 MIN. THK.) OVER COPPER PER MIL-C-14550 (.000040 MIN. THK.)