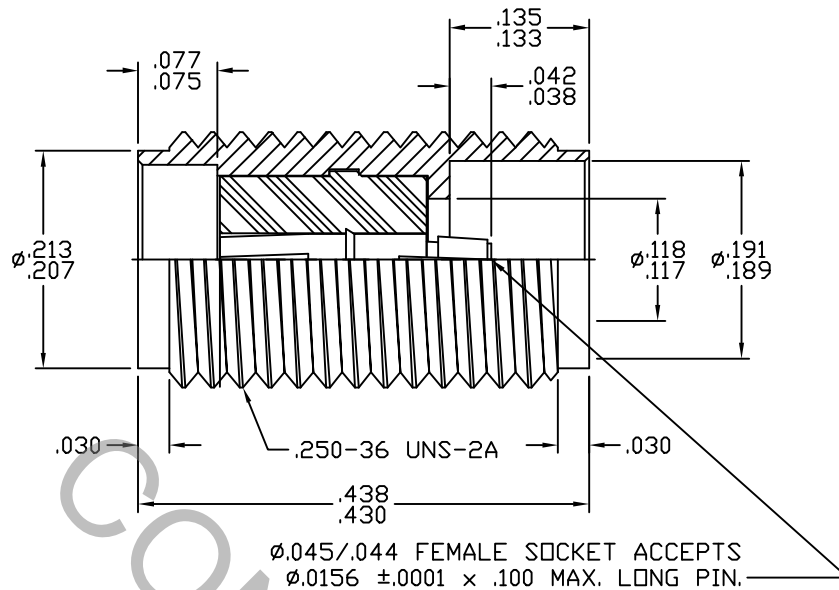


SPECIFICATION CONTROL DRAWING




1. MATING INTERFACE DIMENSIONS FOR SMA PLUG per MIL-STD-348A FIG. 310.2

2. ELECTRICAL FOR ECLIPSE MICROWAVE ONLY

FREQUENCY RANGE GHz	_____	DC TO 18.0 GHz
VSWR (MAX.) *	_____	1.08 + .015 x FGHz
INSERTION LOSS (dB MAX.)	_____	.04 dB x $\sqrt{\text{FGHz}}$
NOMINAL IMPEDANCE (OHMS)	_____	50
VOLTAGE RATING (MAX. VRMS)	_____	250
RF LEAKAGE (MIN. dB DOWN)	_____	-100 dB - FGHz
TEMPERATURE RATING (DEGREES CENTIGRADE)	_____	-65 °C TO + 150 °C
DIELECTRIC WITHSTANDING VOLTAGE (MAX. VRMS)	_____	1000
INSULATION RESISTANCE (MIN. MEGOHMS)	_____	5,000
CONTACT RESISTANCE		
• CENTER CONTACT (MAX. MILLIOHMS)	_____	3.0
• OUTER CONTACT (MAX. MILLIOHMS)	_____	2.0

TERMINATED IN A 50 OHM LOAD

REV.	DCN NO.	DATE	APP.	DIMENSIONS ARE IN INCHES TOLERANCES			 INCORPORATED HAVERHILL, MA. 01835
				DECIMALS	FRACTIONAL	ANGULAR	
AA	04-1822	6/29/04	DC	.X [±] .030	± 1/64	X [±] 1 ^θ	TITLE SMA, FEMALE, SPARKPLUG MIC. PKG. ACCEPTS .015 PIN
BA	05-1003	1/4/05	DC	.XX [±] .010		X [±] 5'	
				DRAWN: DC	DATE: 6/29/04		
				APP.: DC	DATE: 6/29/04		
				CODE IDENT.	SHEET 1 OF 2	DWG. NO.	9930-0682-6200
				2J899			

SPECIFICATION CONTROL DRAWING

3. MECHANICAL

CAPTIVATION-CENTER CONTACT

MAX. AXIAL FORCE	6.0 LBS.
MAX. RADIAL TORQUE	4.0 INCH OZ.
CENTER CONTACT AXIAL FORCES	
● INSERTION (MAX. OUNCES)	REAR 32.0
● WITHDRAWAL (MIN. OUNCES)	REAR 1.0
CONNECTOR ENGAGEMENT/DISENGAGEMENT(MAX. IN LBS.)	2.0
CONNECTOR DURABILITY (MIN. CYCLES)	500
RECOMMENDED MATING TORQUE	7 - 10 IN. LBS.

4. ENVIRONMENTAL

TEMPERATURE CYCLING	MIL-STD-202, METHOD 102, COND. C (-25° c TO +100° c)
SHOCK	MIL-STD-202, METHOD 213, COND. I (100 G's)
VIBRATION	MIL-STD-202, METHOD 204, COND. D (20 G's)
MOISTURE RESISTANCE	MIL-STD-202, METHOD 106, LESS STEP 7b
CORROSION	MIL-STD-202, METHOD 101, COND. B (48 HOURS)
BAROMETRIC PRESSURE (ALTITUDE)	MIL-STD-202, METHOD 105, COND. C (70,000 FT.) (190 VRMS)

5. MATERIAL

CONNECTOR BODY	STAINLESS STEEL PER AMS-5640, TYPE 303, COND. A
CONTACT	BERYLLIUM COPPER PER QQ-C-530, ALLOY 173, COND. H.T.
INSULATOR	TEFLON PER ASTM D 4894-91.

6. FINISH

CONNECTOR BODY	PASSIVATE PER QQ-P-35A, TYPE I
CONTACT	GOLD PER ATSM B 488, TYPE I, CODE C, CLASS 2.5 (.000100 Minimum Thickness) OVER NICKEL per QQ-N-290 (.000050 Minimum Thickness) OVER COPPER per MIL-C-14550 (.000010 Minimum Thickness).
INSULATOR	N/A