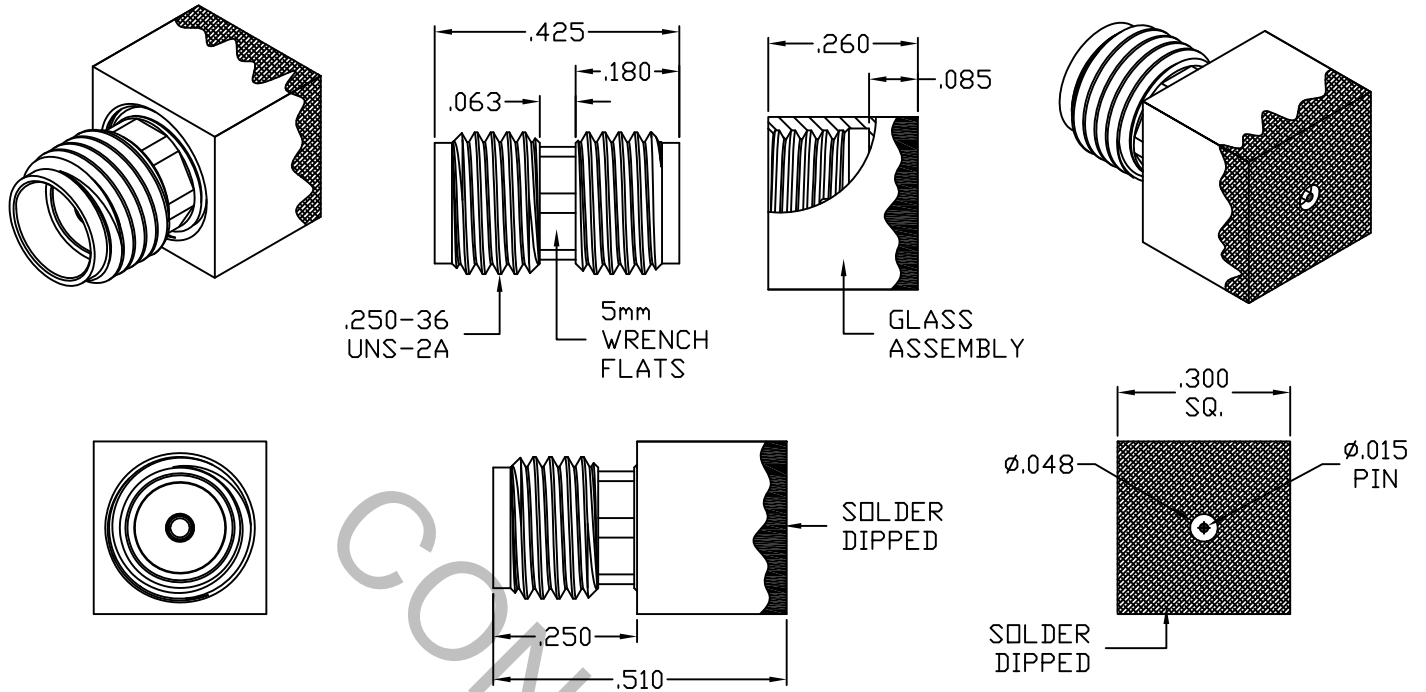


SPECIFICATION CONTROL DRAWING



1. MATING INTERFACE DIMENSIONS Per MIL-STD-348 Fig. 310.2 (SMA JACK).

2. ELECTRICAL

FREQUENCY RANGE GHz	_____	DC TO 22.0 GHz
VSWR (MAX.) *	_____	1.08 + .010 x FGHz
INSERTION LOSS (dB MAX.) *	_____	.10 dB x $\sqrt{\text{FGHz}}$
NOMINAL IMPEDANCE (OHMS)	_____	50
VOLTAGE RATING (MAX. VRMS)	_____	250
RF LEAKAGE (MIN. dB DOWN)	_____	-100 dB - FGHz
TEMPERATURE RATING (DEGREES CENTIGRADE)	_____	-65°C TO + 165°C
DIELECTRIC WITHSTANDING VOLTAGE (MAX. VRMS)	_____	750
INSULATION RESISTANCE (MIN. MEGOHMS)	_____	5,000
CONTACT RESISTANCE		
• CENTER CONTACT (MAX. MILLIOHMS)	_____	12.0
• OUTER CONTACT (MAX. MILLIOHMS)	_____	2.0

*TERMINATED IN A 50 OHM LOAD

RoHS
COMPLIANT

This Document contains proprietary and confidential information.

REV.	DCN NO.	DATE	APP.	DIMENSIONS ARE IN INCHES TOLERANCES			INCORPORATED HAVERHILL, MA 01835
AA	17-2111	9/19/17	DC	DECIMALS	FRACTIONAL	ANGULAR	
				.X ± .030		X' ± 10'	TITLE SMA JACK, FIELD REPLACEABLE, SURFACE MOUNT
				.XX ± .010	± 1/64	X'X' ± 15'	
				.XXX ± .005			
				DRAWN	DC	DATE	9/19/17
				APPROVED	DC	DATE	9/19/17
				CODE IDENT.			
				2J899		SHEET 1 OF 2	
						DWG. NO.	9933-0434-6400

SPECIFICATION CONTROL DRAWING

3. MECHANICAL

CAPTIVATION-CENTER CONTACT
 MIN. AXIAL FORCE _____ 4.5 LBS.
 MIN. RADIAL TORQUE _____ N/A
 CENTER CONTACT AXIAL FORCES
 ● INSERTION (MAX. OUNCES) _____ INTERFACE 32.0, REAR 32.0
 ● WITHDRAWAL (MIN. OUNCES) _____ INTERFACE 2.0, REAR 1.0
 CONNECTOR ENGAGEMENT/DISENGAGEMENT (MAX. LBS.) _____ 2.0
 CONNECTOR DURABILITY (MIN. CYCLES) _____ 500
 RECOMMENDED MATING TORQUE _____ 7 - 10 IN. LBS.
 RECOMMENDED MOUNTING TORQUE _____ 18 - 22 IN. LBS.
 SMA REVERSE MOUNTING TORQUE _____ 15 IN. LBS. MIN.

4. ENVIRONMENTAL

TEMPERATURE CYCLING _____ MIL-STD-202, METHOD 107, COND. C (-65°C TO + 165°C)
 SHOCK _____ MIL-STD-202, METHOD 213, COND. I (100 G's)
 VIBRATION _____ MIL-STD-202, METHOD 204, COND. D (20 G's)
 MOISTURE RESISTANCE _____ MIL-STD-202, METHOD 106, LESS STEP 7b
 CORROSION _____ MIL-STD-202, METHOD 101, COND. B (48 HOURS)
 BAROMETRIC PRESSURE (ALTITUDE) _____ MIL-STD-202, METHOD 105, COND. C (70,000 FT.) (190 VRMS)
 HERMETICITY _____ 1×10^{-8} cc/SEC.

5. MATERIAL

BODY _____ STAINLESS STEEL PER ASTM-A-582, TYPE 303, COND. A
 CONTACT _____ BERYLLIUM COPPER PER ASTM-B-196/B, 196M-03, COPPER ALLOY No. UNS-C17300, TEMPER TD04.
 INSULATOR _____ TEFLON PER ASTM-D-1710, TYPE 1, GRADE 1, CLASS B.
 GASKET _____ SILICONE RUBBER PER AMS-3304, COLOR RUST, GRADE 70.
 GLASS _____ CORNING 7070
 GLASS PIN _____ KOVAR PER MIL-I-23011

6. FINISH

SMA BODY _____ PASSIVATE PER AMS-2700, TYPE 2, CLASS 4.
 GLASS BODY AND GLASS PIN _____ GOLD PER ASTM-B-488, TYPE I, CODE C, CLASS 1.27 (.000050 MIN. THK.) OVER NICKEL PER SAE-AMS-QQ-N-290 CLASS 1 (.000150 MIN. THK.) OVER NICKEL (WOODS OR WATTS) (.000010 MIN. THK.)
 CONTACTS _____ GOLD PER ASTM-B-488, TYPE I, CODE C, CLASS 1.27 (.000050 MIN. THK.) OVER NICKEL PER SAE-AMS-QQ-N-290 CLASS 1 (.000050 MIN. THK.) OVER COPPER PER AMS-2418 (.000010 MIN. THK.)
 INSULATORS, GLASS AND GASKET _____ N/A