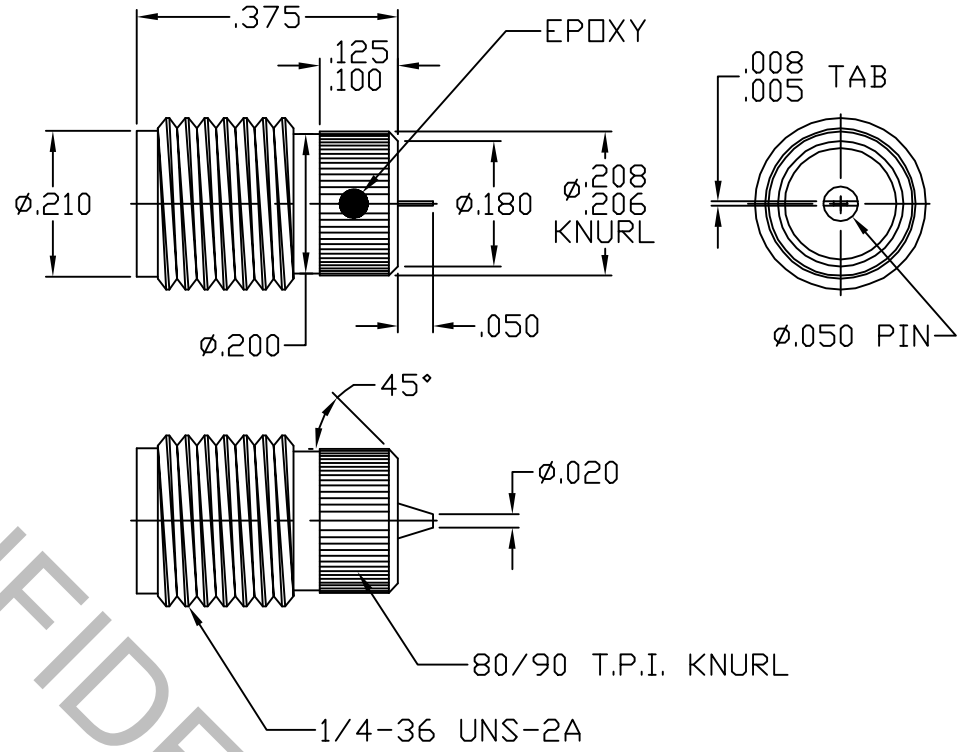


CONNECTOR SERIES: : SMA
 CENTER CONTACT: : FEMALE SOCKET
 NOMINAL IMPEDANCE: (OHMS) : 50
 CABLE ACCOMMODATION: : N/A

CONTACT CAPTIVATION: : 6.0 LBS.
 CABLE ATTACHMENT: : N/A
 CONTACT ATTACHMENT: : SOLDER
 FREQUENCY RANGE: : DC TO 18.0 GHz.
 QPL SPECIFICATION: : N/A
 QPL EQUIVALENT: : N/A

MATING CHARACTERISTICS : MIL-STD-348-310.2
 MATING TORQUE : 7 TO 10 POUND INCHES
 MOUNTING TORQUE : N/A
 TEMPERATURE RANGE : -55 / +125 DEGREES C.

ELECTRICAL:
 VSWR MAXIMUM : 1.20:1 MAX.
 INSERTION LOSS MAXIMUM : .040 x \sqrt{FGHz} .
 R.F. LEAKAGE MINIMUM : -80 dB - F
 INSULATION RESISTANCE : 5,000 MOHMS MINIMUM
 D.W.V. : 750 VRMS MAX.



CONFIDENTIAL

ITEM	MATERIALS	FINISHES
BODY	: 303 STAINLESS PER ASTM-A-582	: PASSIVATE PER QQ-P-35
INSULATOR	: PTFE PER ASTM-D-1710	: N/A
CONTACT	: COPPER, BERYLLIUM PER ASTM-B196	: GOLD PER ASTM-B-488

REV.	DCN NUMBER	DATE	APP.
AA	04-1455	4/7/04	DC

SPECIFICATION CONTROL DRAWING



TITLE
SMA JACK, PRESS
IN, TAB TERMINAL,
EPOXY CAPTURED

DECIMALS	FRACTIONAL	DEGREES
.X ±.030		X° ±1°
.XX ±.010	± 1/16"	X°X' ±15'
.XXX ±.005		

DRAWN: DC		DATE: 4/7/04	
APPROVED: DC		DATE: 4/7/04	
SCALE	CODE IDENT	SHEET	
N/A	2J899	1 of 1	

DRAWING
NO. 9940-0052-6200