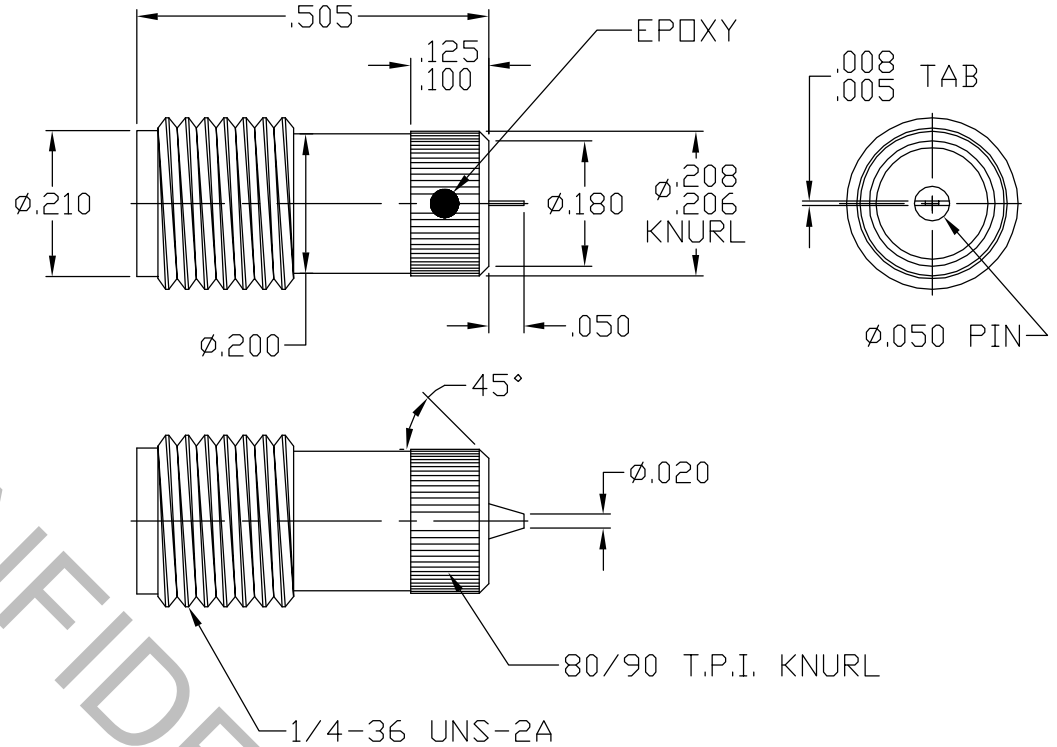


CONNECTOR SERIES: : SMA  
 CENTER CONTACT: : FEMALE SOCKET  
 NOMINAL IMPEDANCE: (OHMS) : 50  
 CABLE ACCOMMODATION: : N/A

CONTACT CAPTIVATION: : 6.0 LBS.  
 CABLE ATTACHMENT: : N/A  
 CONTACT ATTACHMENT: : SOLDER  
 FREQUENCY RANGE: : DC TO 18.0 GHz.  
 QPL SPECIFICATION: : N/A  
 QPL EQUIVALENT: : N/A

MATING CHARACTERISTICS : MIL-STD-348-310.2  
 MATING TORQUE : 7 TO 10 POUND INCHES  
 MOUNTING TORQUE : N/A  
 TEMPERATURE RANGE : -55 / +125 DEGREES C.

ELECTRICAL:  
 VSWR MAXIMUM : 1.20:1 MAX.  
 INSERTION LOSS MAXIMUM : .040 x  $\sqrt{\text{FGHz}}$   
 R.F. LEAKAGE MINIMUM : -80 dB - F  
 INSULATION RESISTANCE : 5,000 MOHMS MINIMUM  
 D.W.V. : 750 VRMS MAX.



ITEM	MATERIALS	FINISHES
BODY	: 303 STAINLESS PER ASTM-A-582	: PASSIVATE PER QQ-P-35
INSULATOR	: PTFE PER ASTM-D-1710	: N/A
CONTACT	: COPPER, BERYLLIUM PER ASTM-B196	: GOLD PER ASTM-B-488

REV.	DCN NUMBER	DATE	APP.
AA	06-2195	9/27/06	DC

## SPECIFICATION CONTROL DRAWING

**dynawave**  
 INCORPORATED  
 Haverhill, MA. 01835

TITLE  
**SMA JACK, PRESS  
 IN, TAB TERMINAL,  
 EPOXY CAPTURED**

TOLERANCES  
 DECIMALS : .X ±.030  
 : .XX ±.010  
 : .XXX ±.005  
 FRACTIONAL : ± 1/16"  
 DEGREES : X° ±1°0'  
 : X°X' ±15'

DRAWN: DC DATE: 9/27/06

APPROVED: DC DATE: 9/27/06

SCALE	CODE IDENT	SHEET
N/A	2J899	1 of 1

DRAWING  
 NO. **9940-0052-6201**