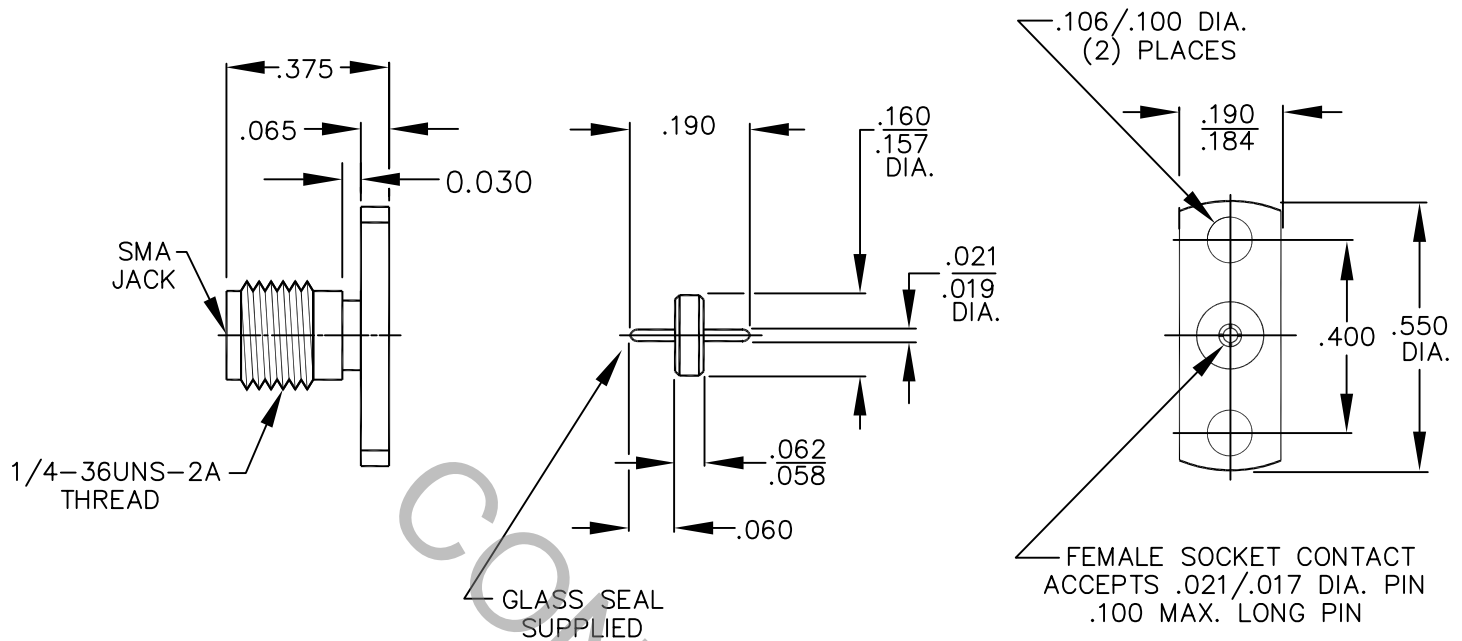


SPECIFICATION CONTROL DRAWING




1. MATING INTERFACE DIMENSIONS FOR SMA JACK per MIL-STD-348 (Fig. 310-2).

2. ELECTRICAL

FREQUENCY RANGE GHz	_____	DC TO 20.0 GHz
VSWR (MAX.) *	_____	1.05 + .006 x FGHz
INSERTION LOSS (dB MAX.) *	_____	.03 dB x √FGHz
NOMINAL IMPEDANCE (OHMS)	_____	50
VOLTAGE RATING (MAX. VRMS)	_____	250
RF LEAKAGE (MIN. dB DOWN)	_____	100 dB - FGHz
TEMPERATURE RATING (DEGREES CENTIGRADE)	_____	-65 °c TO + 165 °c
DIELECTRIC WITHSTANDING VOLTAGE (MAX. VRMS)	_____	750
INSULATION RESISTANCE (MIN. MEGOHMS)	_____	10,000
CONTACT RESISTANCE		
• CENTER CONTACT (MAX. MILLIOHMS)	_____	6.0
• OUTER CONTACT (MAX. MILLIOHMS)	_____	2.0

*TERMINATED IN A 50 OHM LOAD

REV.	DCN NO.	DATE	APP.	DIMENSIONS ARE IN INCHES TOLERANCES			 HAVERHILL, MA. 01835
AA	98-0280	4/9/98	GL	DECIMALS .X ± .030 .XX ± .010 .XXX ± .005	FRACTIONAL ±/64	ANGULAR X ° ± 1 0' X ° X' ± 15'	
				DRAWN	AJH	DATE	4/9/98
				APPROVED	GL	DATE	4/9/98
				CODE IDENT.	SHEET 1 OF 2		DWG. NO. 9952-0018-6224
				2J899			

TITLE
SMA, JACK
2 HOLE FLANGE
FIELD REPLACEABLE
WITH GLASS SEAL

SPECIFICATION CONTROL DRAWING

3. MECHANICAL

CAPTIVATION-CENTER CONTACT

MAX.AXIAL FORCE _____ 6.0 LBS.

MAX. RADIAL TORQUE _____ N/A

CENTER CONTACT AXIAL FORCES

● INSERTION (MAX. OUNCES) _____ INTERFACE 48.0, REAR 32.0

● WITHDRAWAL (MIN. OUNCES) _____ INTERFACE 2.0, REAR 1.0

CONNECTOR DURABILITY (MIN. CYCLES) _____ 500

4. ENVIRONMENTAL

TEMPERATURE CYCLING _____ MIL-STD-202, METHOD 102, COND. C (-65 °c TO + 200°)

SHOCK _____ MIL-STD-202, METHOD 213, COND. I (100 G's)

VIBRATION _____ MIL-STD-202, METHOD 204, COND. D (20 G's)

MOISTURE RESISTANCE _____ MIL-STD-202, METHOD 106, LESS STEP 7b

CORROSION _____ MIL-STD-202, METHOD 101, COND. B (48 HOURS)

BAROMETRIC PRESSURE (ALTITUDE) _____ MIL-STD-202, METHOD 105, COND. C (70,000 FT.) (190RMS)

HERMETICITY: _____ BEAD SHALL NOT EXCEED A LEAK RATE OF 10-8 cc/SEC.
TRACER GAS OF HELIUM AT A PRESSURE DIFFERENTIAL OF 15 P.S.I.

5. MATERIAL

BODY _____ STAINLESS STEEL PER ASTM A 582, TYPE 303, COND. A

CONTACT _____ BERYLLIUM COPPER PER ASTM B 196, COPPER ALLOY
UNS C 17800, TEMPER TD04

INSULATOR _____ TEFLON PER ASTM D 4894-91

GLASS SEAL:

OUTER RING & PIN _____ KOVAR PER MIL-I-23011

GLASS _____ CORNING 7052

6. FINISH

BODY _____ PASSIVATE PER QQ-P-35C, TYPE VI.

CONTACT _____ GOLD per MIL-G-45204, TYPE II, GRADE C, CLASS 2
(.000100 Minimum Thickness) OVER NICKEL per
QQ-N-290, CLASS 1 (.000100 Minimum Thickness) OVER
COPPER per MIL-C-14550 (.000010 Minimum Thickness).

INSULATOR _____ N/A

GLASS SEAL (OUTER RING & PIN) _____ GOLD PER MIL-G-45204, TYPE III, GRADE A, CLASS 1
(.000050 MIN. THK.) OVER NICKEL PER QQ-N-290.