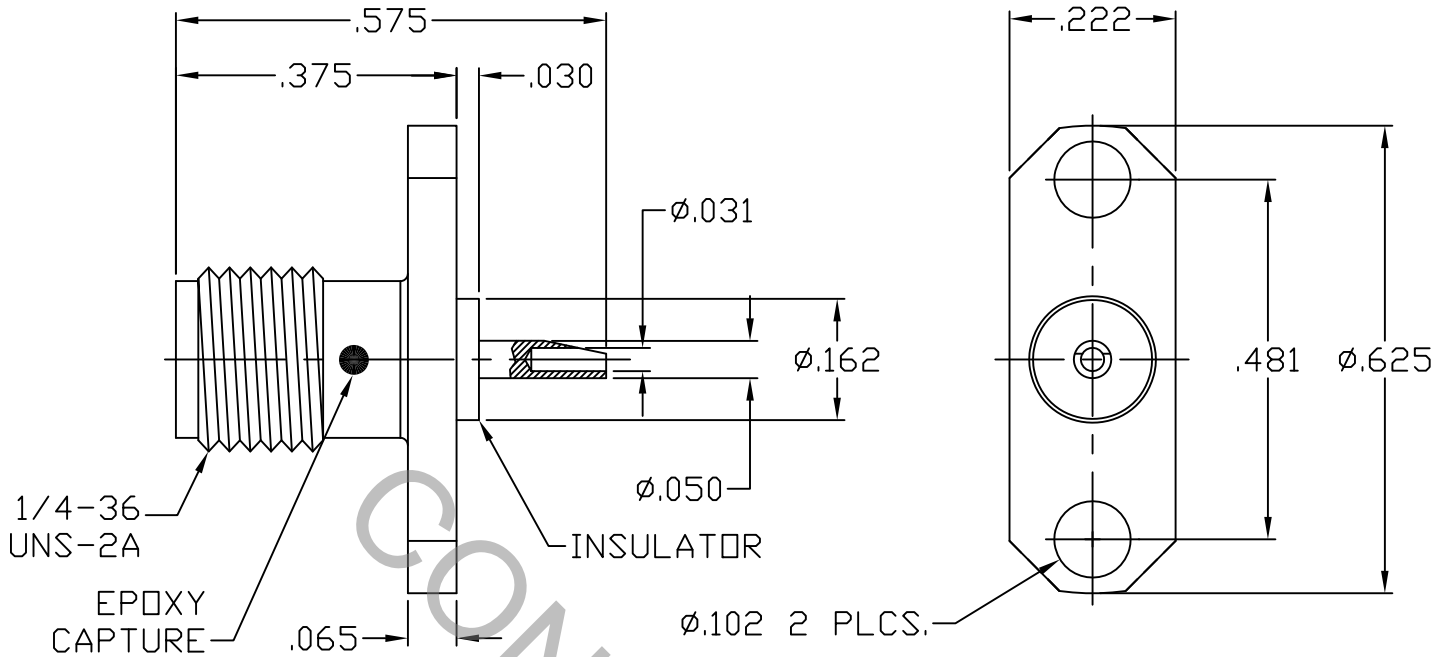


SPECIFICATION CONTROL DRAWING



1. MATING INTERFACE DIMENSIONS Per MIL-STD-348 Fig. 310.2 (SMA JACK).

2. ELECTRICAL

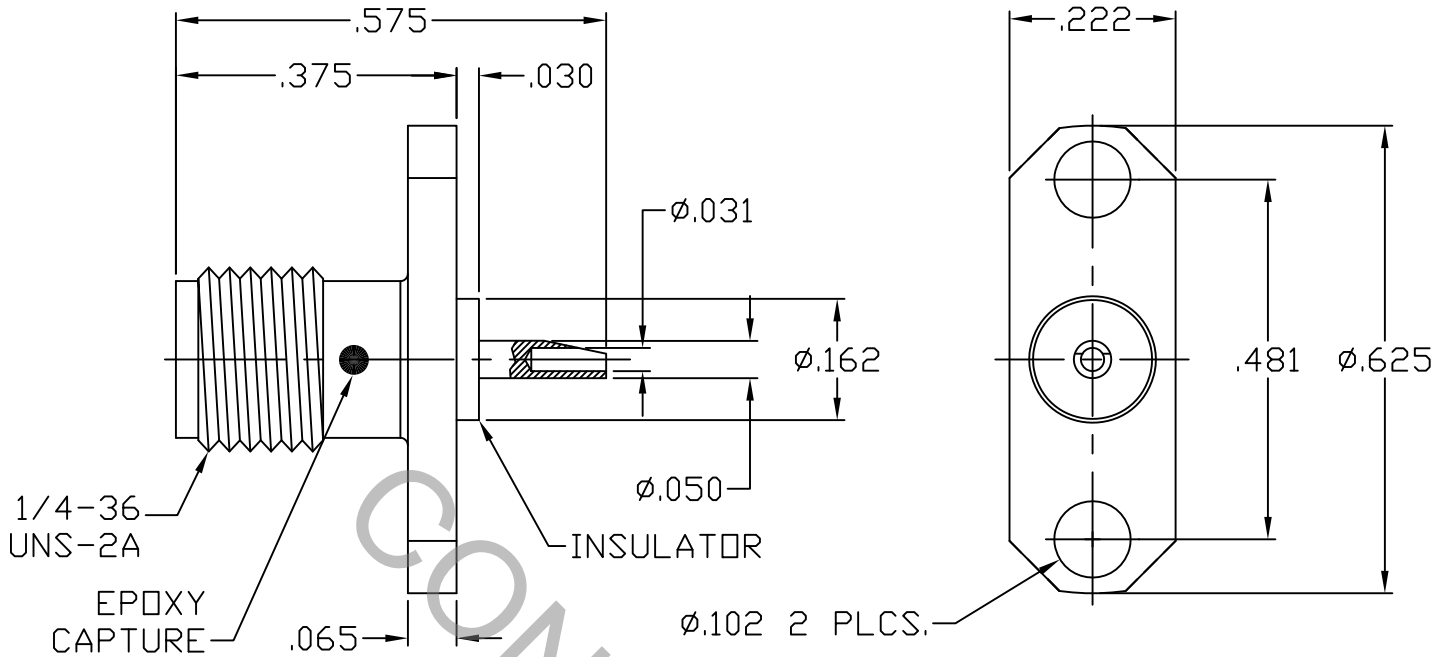
FREQUENCY RANGE GHz	DC TO 18.0 GHz
VSWR (MAX.) *	1.07 + .008 x FGHz
INSERTION LOSS (dB MAX.) *	.04 dB x $\sqrt{\text{FGHz}}$
NOMINAL IMPEDANCE (OHMS)	50
VOLTAGE RATING (MAX. VRMS)	335
RF LEAKAGE (MIN. dB DOWN)	-80 dB - FGHz
TEMPERATURE RATING (DEGREES CENTIGRADE)	-65°C TO + 150°C
DIELECTRIC WITHSTANDING VOLTAGE (MAX. VRMS)	1,000
INSULATION RESISTANCE (MIN. MEGOHMS)	10,000
CONTACT RESISTANCE	
• CENTER CONTACT (MAX. MILLIOHMS)	6.0
• OUTER CONTACT (MAX. MILLIOHMS)	2.0

* TERMINATED IN A 50 OHM LOAD

RoHS
COMPLIANT

REV.	DCN NO.	DATE	APP.	DIMENSIONS ARE IN INCHES TOLERANCES			 HAVERHILL, MA 01835
AA	09-1894	11/25/09	TS	DECIMALS	FRACTIONAL	ANGULAR	
				.X ± .030 .XX ± .010 .XXX ± .005	± 1/64	X ° ± 1° 0' X ° X' ± 15'	TITLE SMA JACK 2 HOLE FLANGE SOLDER POT TERMINAL
				DRAWN	TS	DATE 11/25/09	
				APPROVED	DC	DATE 11/25/09	
				CODE IDENT. 2J899	SHEET 1 OF 2		DWG. NO. 9952-0022-6253

SPECIFICATION CONTROL DRAWING



1. MATING INTERFACE DIMENSIONS Per MIL-STD-348 Fig. 310.2 (SMA JACK).

2. ELECTRICAL

FREQUENCY RANGE GHz	DC TO 18.0 GHz
VSWR (MAX.) *	1.07 + .008 x FGHz
INSERTION LOSS (dB MAX.) *	.04 dB x $\sqrt{\text{FGHz}}$
NOMINAL IMPEDANCE (OHMS)	50
VOLTAGE RATING (MAX. VRMS)	335
RF LEAKAGE (MIN. dB DOWN)	-80 dB - FGHz
TEMPERATURE RATING (DEGREES CENTIGRADE)	-65°C TO + 150°C
DIELECTRIC WITHSTANDING VOLTAGE (MAX. VRMS)	1,000
INSULATION RESISTANCE (MIN. MEGOHMS)	10,000
CONTACT RESISTANCE	
• CENTER CONTACT (MAX. MILLIOHMS)	6.0
• OUTER CONTACT (MAX. MILLIOHMS)	2.0

* TERMINATED IN A 50 OHM LOAD

RoHS
COMPLIANT

REV.	DCN NO.	DATE	APP.	DIMENSIONS ARE IN INCHES TOLERANCES			 Haverhill, MA 01835
AA	09-1894	11/25/09	TS	DECIMALS	FRACTIONAL	ANGULAR	
				.X ± .030 .XX ± .010 .XXX ± .005	± 1/64	X ° ± 1'0" X ° X' ± 15'	TITLE SMA JACK 2 HOLE FLANGE SOLDER POT TERMINAL
				DRAWN	TS	DATE 11/25/09	
				APPROVED	DC	DATE 11/25/09	
				CODE IDENT. 2J899	SHEET 1 OF 2		DWG. NO. 9952-0022-6253