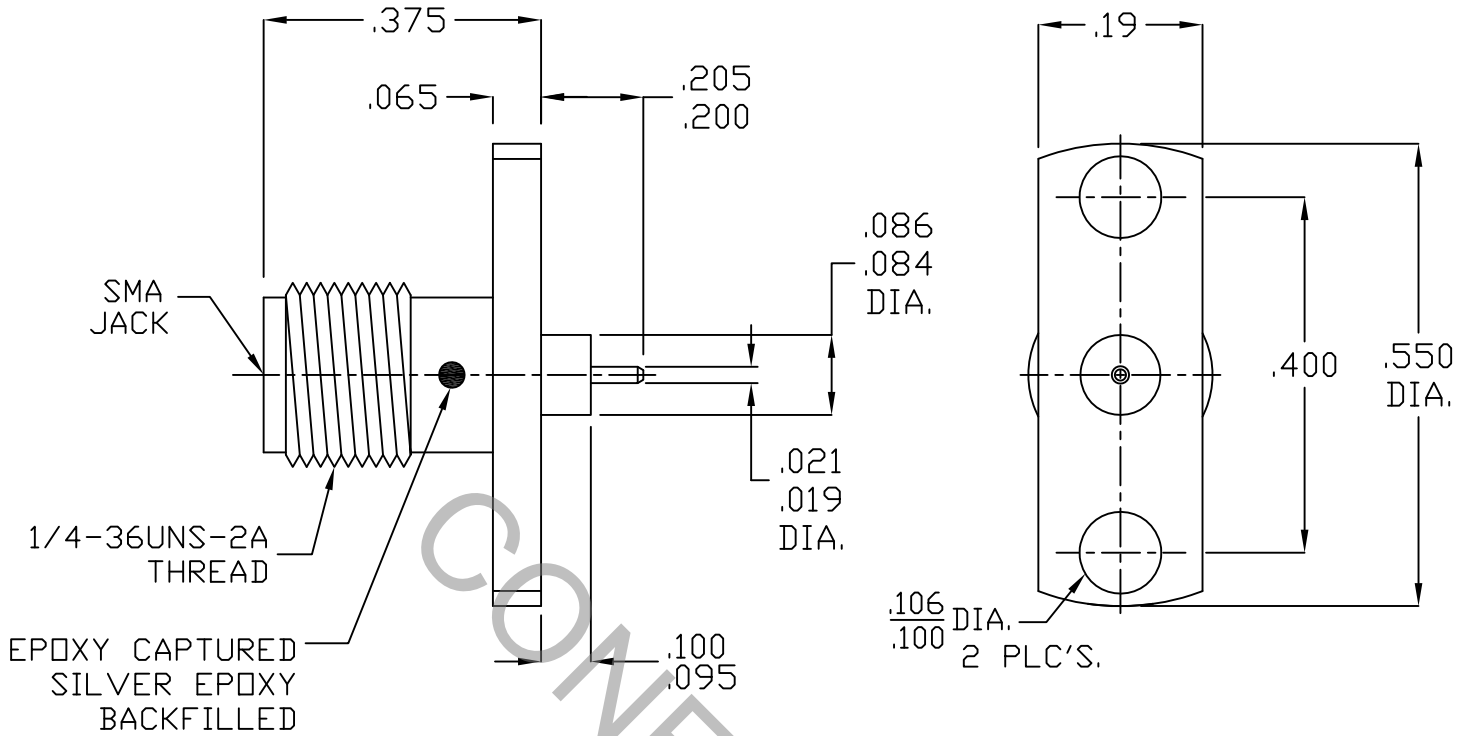


# SPECIFICATION CONTROL DRAWING



1. MATING INTERFACE DIMENSIONS PER MIL-STD-348A, (Fig. 310.2), SMA, JACK

## 2. ELECTRICAL

FREQUENCY RANGE GHz	_____	DC TO 26.5 GHz.
VSWR (MAX.) *	_____	1.07 + .008 x FGHz.
INSERTION LOSS (dB MAX.)	_____	.035 dB x $\sqrt{\text{FGHz}}$
NOMINAL IMPEDANCE (OHMS)	_____	50
VOLTAGE RATING (MAX. VRMS)	_____	250
RF LEAKAGE (MIN. dB DOWN)	_____	-80 dB - FGHz.
TEMPERATURE RATING (DEGREES CENTIGRADE)	_____	-65° c TO + 165° c
DIELECTRIC WITHSTANDING VOLTAGE (MAX. VRMS)	_____	750
INSULATION RESISTANCE (MIN. MEGOHMS)	_____	10,000
CONTACT RESISTANCE		
• CENTER CONTACT (MAX. MILLIOHMS)	_____	6.0
• OUTER CONTACT (MAX. MILLIOHMS)	_____	2.0

\* TERMINATED IN A 50 OHM LOAD

**RoHS**  
COMPLIANT

REV.	DCN NO.	DATE	APP.	DIMENSIONS ARE IN INCHES TOLERANCES			 HAVERHILL, MA 01835
AA	09-1694	9/14/09	DC	DECIMALS .X ± .030 .XX ± .010 .XXX ± .005	FRACTIONAL ± 1/64	ANGULAR X° ± 1° 0' X° X' ± 15'	
				DRAWN	TS	DATE	TITLE SMA, JACK 2 HOLE FLANGE STRAIGHT TERMINATION
				APPROVED	DC	DATE	
				CODE IDENT.	SHEET 1 OF 2		DWG. NO.
				2J899			9952-0032-6218

# SPECIFICATION CONTROL DRAWING

## 3. MECHANICAL

### CAPTIVATION-CENTER CONTACT

MAX.AXIAL FORCE \_\_\_\_\_ 6.0 LBS.

MAX. RADIAL TORQUE \_\_\_\_\_ 4.0 OZ.

### CENTER CONTACT AXIAL FORCES

● INSERTION (MAX. OUNCES) \_\_\_\_\_ 48.0

● WITHDRAWAL (MIN. OUNCES) \_\_\_\_\_ 2.0

CONNECTOR ENGAGEMENT/DISENGAGEMENT (MAX. IN. LBS.) \_\_\_\_\_ 2.0

CONNECTOR DURABILITY (MIN. CYCLES) \_\_\_\_\_ 500

RECOMMENDED MATING TORQUE \_\_\_\_\_ 7 - 10 IN. LBS.

## 4. ENVIRONMENTAL

TEMPERATURE CYCLING \_\_\_\_\_ MIL-STD-202, METHOD 102, COND. C ( -65° c TO +165° c )

SHOCK \_\_\_\_\_ MIL-STD-202, METHOD 213, COND. I (100 G's)

VIBRATION \_\_\_\_\_ MIL-STD-202, METHOD 204, COND. D (20 G's)

MOISTURE RESISTANCE \_\_\_\_\_ MIL-STD-202, METHOD 106, LESS STEP 7b

CORROSION \_\_\_\_\_ MIL-STD-202, METHOD 101, COND. B (48 HOURS)

BAROMETRIC PRESSURE (ALTITUDE) \_\_\_\_\_ MIL-STD-202, METHOD 105, COND. C ( 70,000 FT. ) ( 190 VRMS )

## 5. MATERIAL

BODY \_\_\_\_\_ STAINLESS STEEL PER ASTM A 581, TYPE 303, COND. A

CONTACT \_\_\_\_\_ BERYLLIUM COPPER PER ASTM B196/B 196M-03, COPPER ALLOY  
No. UNS-C17300, TEMPER TD04.

INSULATOR \_\_\_\_\_ TEFLON PER ASTM D 1710-02, TYPE 2, GRADE 1, CLASS B

## 6. FINISH

BODY \_\_\_\_\_ PASSIVATE PER AMS QQ-P-35, TYPE 2

CONTACT \_\_\_\_\_ GOLD PER ASTM B 488, TYPE 1, CODE C, CLASS 2.5  
(.00010 MIN. THK.) OVER NICKEL per QQ-N-290  
(.000050 MIN. THK.) OVER COPPER PER MIL-C-14550  
(.000010 MIN. THK.)

INSULATOR \_\_\_\_\_ N/A