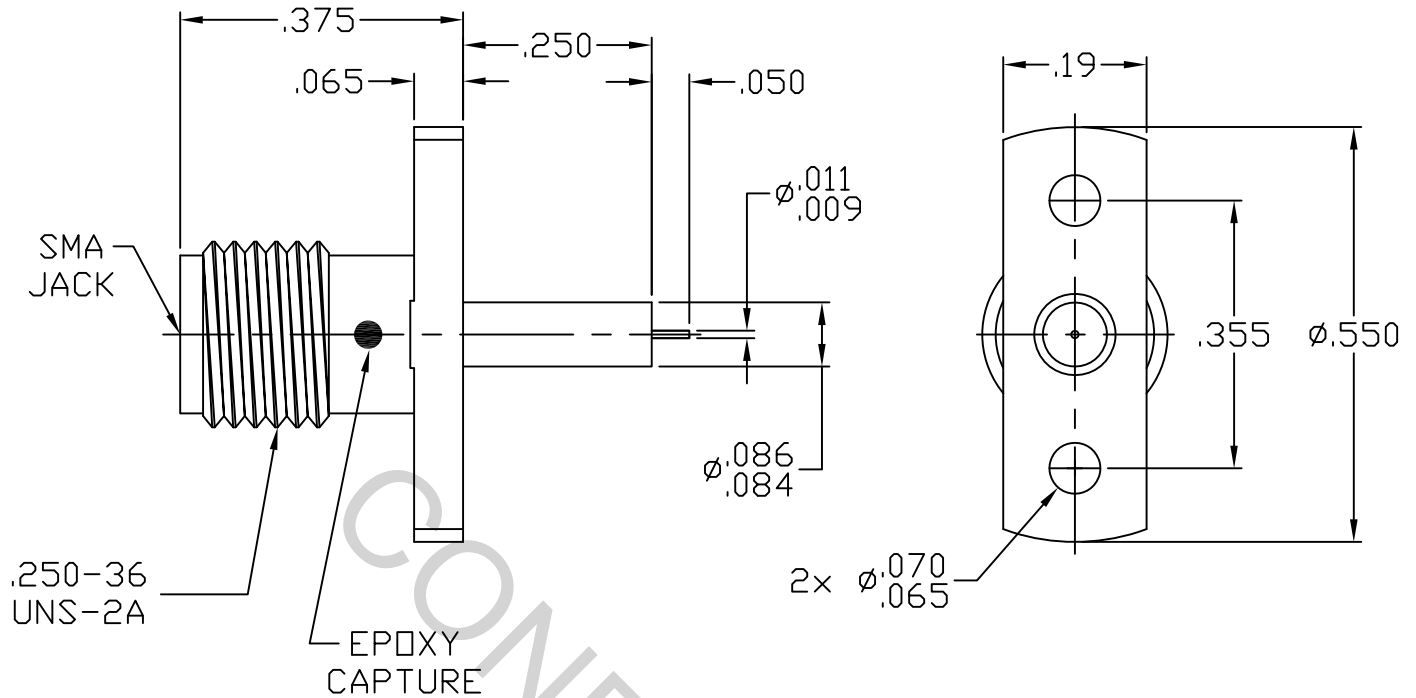


# SPECIFICATION CONTROL DRAWING



1. MATING INTERFACE DIMENSIONS per MIL-STD-348 Fig. 310.2 (SMA JACK)


## 2. ELECTRICAL

FREQUENCY RANGE GHz	_____	DC TO 26.5 GHz.
VSWR (MAX.) *	_____	1.06 + .006 x FGHz.
INSERTION LOSS (dB MAX.) *	_____	.035 dB x √FGHz
NOMINAL IMPEDANCE (OHMS)	_____	50
VOLTAGE RATING (MAX. VRMS)	_____	250
RF LEAKAGE (MIN. dB DOWN)	_____	-90 dB - FGHz.
TEMPERATURE RATING (DEGREES CENTIGRADE)	_____	-65 °c TO + 165 °c
DIELECTRIC WITHSTANDING VOLTAGE (MAX. VRMS)	_____	750
INSULATION RESISTANCE (MIN. MEGOHMS)	_____	5,000
CONTACT RESISTANCE		
• CENTER CONTACT (MAX. MILLIOHMS)	_____	6.0
• OUTER CONTACT (MAX. MILLIOHMS)	_____	2.0

\*TERMINATED IN A 50 OHM LOAD

This Document contains proprietary and confidential information.

**RoHS**  
COMPLIANT

REV.	DCN NO.	DATE	APP.	DIMENSIONS ARE IN INCHES TOLERANCES			 HAVERHILL, MA. 01835
				DECIMALS	FRACTIONAL	ANGULAR	
AA	07-1529	5/15/07	DC	.X ±.030		X ° ±1°0'	TITLE SMA JACK, 2 HOLE FLANGE CAPTIVATED CONTACT Ø.010 PIN TERMINAL
AB	18-1655	6/11/18	DC	.XX ±.010 .XXX ±.005	±1/64	X ° X' ±15'	
				DRAWN DC	DATE 5/15/07		DWG. NO. 9952-0032-6221
				APPROVED DC	DATE 5/15/07		
				CODE IDENT. 2J899	SHEET 1 OF 2		

# SPECIFICATION CONTROL DRAWING

## 3. MECHANICAL

### CAPTIVATION-CENTER CONTACT

MAX. AXIAL FORCE \_\_\_\_\_ 6.0 LBS.

MAX. RADIAL TORQUE \_\_\_\_\_ 4.0 IN. OZ.

### CENTER CONTACT AXIAL FORCES

● INSERTION (MAX. OUNCES) \_\_\_\_\_ 32.0

● WITHDRAWAL (MIN. OUNCES) \_\_\_\_\_ 2.0

CONNECTOR ENGAGEMENT/DISENGAGEMENT (MAX. LBS.) \_\_\_\_\_ 2.0

CONNECTOR DURABILITY (MIN. CYCLES) \_\_\_\_\_ 500

RECOMMENDED MATING TORQUE \_\_\_\_\_ 7 - 10 IN. LBS.

## 4. ENVIRONMENTAL

TEMPERATURE CYCLING \_\_\_\_\_ MIL-STD-202, METHOD 102, COND. C ( -65 °c TO + 165° c )

SHOCK \_\_\_\_\_ MIL-STD-202, METHOD 213, COND. I (100 G's)

VIBRATION \_\_\_\_\_ MIL-STD-202, METHOD 204, COND. D (20 G's)

MOISTURE RESISTANCE \_\_\_\_\_ MIL-STD-202, METHOD 106, LESS STEP 7b

CORROSION \_\_\_\_\_ MIL-STD-202, METHOD 101, COND. B (48 HOURS)

BAROMETRIC PRESSURE (ALTITUDE) \_\_\_\_\_ MIL-STD-202, METHOD 105, COND. C ( 70,000 FT. ) ( 190 VRMS )

## 5. MATERIAL

BODY \_\_\_\_\_ STAINLESS STEEL PER ASTM-A-582, TYPE 303, COND. A

CONTACT \_\_\_\_\_ BERYLLIUM COPPER PER ASTM-B-196/B, 196M-02, COPPER ALLOY No. UNS C 17300, TEMPER TD04

INSULATOR \_\_\_\_\_ TEFLON PER ASTM-D-1710-02, TYPE 1, GRADE 1, CLASS B.

## 6. FINISH

BODY \_\_\_\_\_ PASSIVATE PER AMS 2700, TYPE 2, CLASS 4.

CONTACT \_\_\_\_\_ GOLD PER ASTM-B-488, TYPE II, CODE C, CLASS 1.27  
(.000050 Min. Thk.) OVER NICKEL PER QQ-N-290  
(.000050 Min. Thk.) OVER COPPER PER AMS 2418  
(.000010 Min. Thk.).

INSULATOR \_\_\_\_\_ N/A