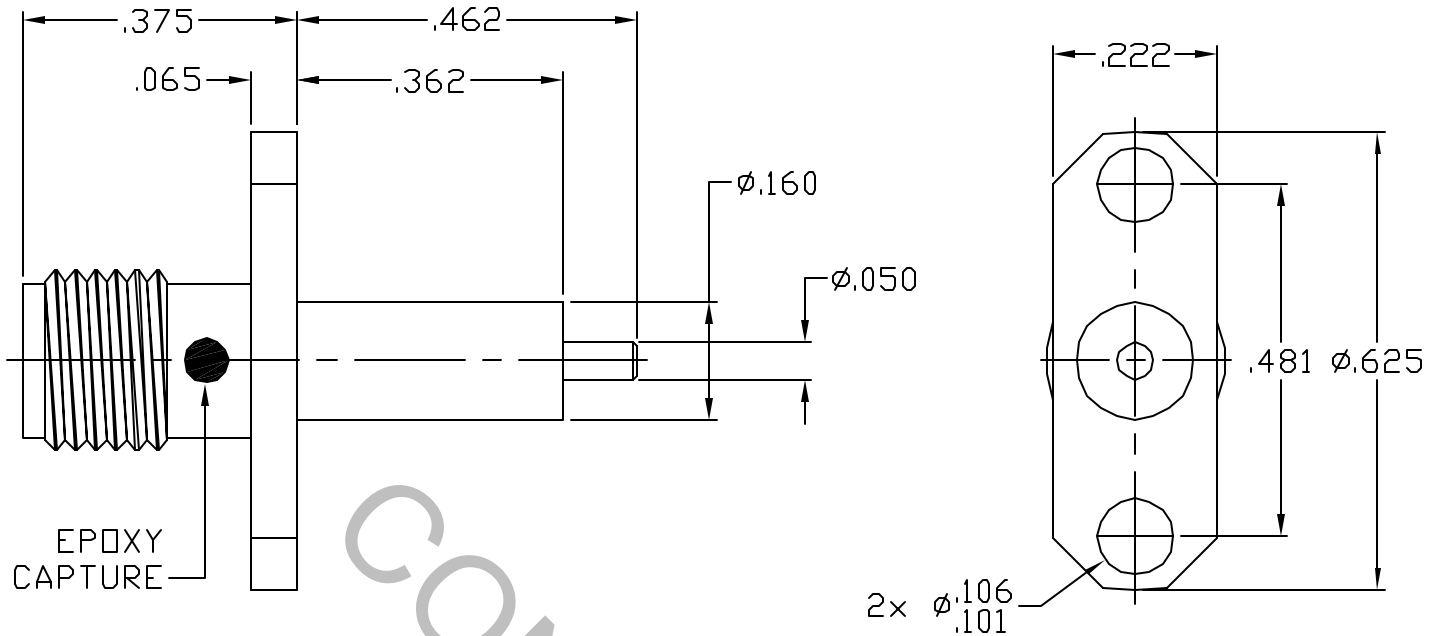


SPECIFICATION CONTROL DRAWING




1. MATING INTERFACE DIMENSIONS per MIL-STD-348 Fig. 310.2 (SMA JACK)

2. ELECTRICAL

FREQUENCY RANGE GHz	_____	DC TO 26.5 GHz.
VSWR (MAX.) *	_____	1.06 + .006 x FGHz.
INSERTION LOSS (dB MAX.) *	_____	.035 dB x $\sqrt{\text{FGHz}}$
NOMINAL IMPEDANCE (OHMS)	_____	50
VOLTAGE RATING (MAX. VRMS)	_____	250
RF LEAKAGE (MIN. dB DOWN)	_____	-85 dB - FGHz.
TEMPERATURE RATING (DEGREES CENTIGRADE)	_____	-65 °c TO + 165 °c
DIELECTRIC WITHSTANDING VOLTAGE (MAX. VRMS)	_____	750
INSULATION RESISTANCE (MIN. MEGOHMS)	_____	10,000
CONTACT RESISTANCE		
• CENTER CONTACT (MAX. MILLIOHMS)	_____	6.0
• OUTER CONTACT (MAX. MILLIOHMS)	_____	2.0

*TERMINATED IN A 50 OHM LOAD

REV.	DCN NO.	DATE	APP.	DIMENSIONS ARE IN INCHES TOLERANCES			 HAVERHILL, MA 01835
AA	07-1470			DECIMALS	FRACTIONAL	ANGULAR	
				.X ± .030 .XX ± .010 .XXX ± .005	±1/64	X ° ± 1' 0" X ° X' ± 15'	
				DRAWN TS	DATE	5/1/07	TITLE SMA JACK, 2 HOLE FLANGE CAPTIVATED CONTACT Ø.050 PIN TERMINAL
				APPROVED DC	DATE	5/1/07	
				CODE IDENT. 2J899	SHEET 1 OF 2		DWG. NO. 9952-0032-6451

SPECIFICATION CONTROL DRAWING

3. MECHANICAL

CAPTIVATION-CENTER CONTACT
MAX. AXIAL FORCE _____ 6.0 LBS.
MAX. RADIAL TORQUE _____ 4.0 IN. OZ.
CENTER CONTACT AXIAL FORCES
● INSERTION (MAX. OUNCES) _____ 32.0
● WITHDRAWAL (MIN. OUNCES) _____ 2.0
CONNECTOR ENGAGEMENT/DISENGAGEMENT (MAX. LBS.) _____ 2.0
CONNECTOR DURABILITY (MIN. CYCLES) _____ 500
RECOMMENDED MATING TORQUE _____ 7 - 10 IN. LBS.

4. ENVIRONMENTAL

TEMPERATURE CYCLING _____ MIL-STD-202, METHOD 102, COND. C (-65 °C TO + 165 °C)
SHOCK _____ MIL-STD-202, METHOD 213, COND. I (100 G's)
VIBRATION _____ MIL-STD-202, METHOD 204, COND. D (20 G's)
MOISTURE RESISTANCE _____ MIL-STD-202, METHOD 106, LESS STEP 7b
CORROSION _____ MIL-STD-202, METHOD 101, COND. B (48 HOURS)
BAROMETRIC PRESSURE (ALTITUDE) _____ MIL-STD-202, METHOD 105, COND. C (70,000 FT.) (190 VRMS)

5. MATERIAL

BODY _____ STAINLESS STEEL PER ASTM A 582, TYPE 303, COND. A
CONTACT _____ BERYLLIUM COPPER PER ASTM B 196/B, 196M-03, COPPER ALLOY No. UNS C 17300, TEMPER T004
INSULATOR _____ TEFLON PER ASTM D 1710-02, TYPE 1, GRADE 1, CLASS B.

6. FINISH

BODY _____ GOLD PER ASTM-B-488, TYPE I, CODE C, CLASS 1.25
(.000050 Min. Thk.) OVER NICKEL PER QQ-N-290
(.000150 Min. Thk.) OVER COPPER PER MIL-C-14550
(.000010 Min. Thk.).
CONTACT _____ GOLD PER ASTM B 488, TYPE I, CODE C, CLASS 2.6
(.000100 Min. Thk.) OVER NICKEL PER QQ-N-290
(.000050 Min. Thk.) OVER COPPER PER MIL-C-14550
(.000010 Min. Thk.).
INSULATOR _____ N/A