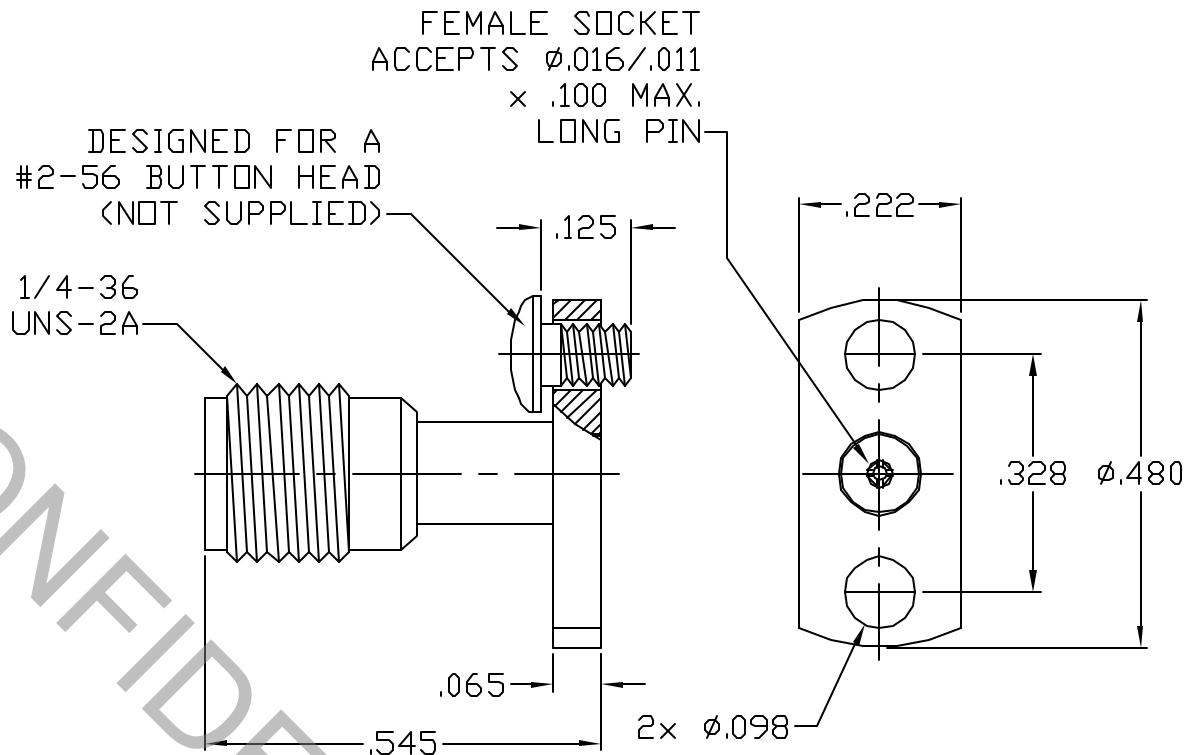


CONNECTOR SERIES: : SMA
 CENTER CONTACT: : FEMALE SOCKET
 NOMINAL IMPEDANCE: (OHMS) : 50
 CABLE ACCOMMODATION: : N/A

CONTACT CAPTIVATION: : 6.0 LBS.
 CABLE ATTACHMENT: : N/A
 CONTACT ATTACHMENT: : N/A
 FREQUENCY RANGE: : DC TO 26.5 GHz.
 QPL SPECIFICATION: : N/A
 QPL EQUIVALENT: : N/A

MATING CHARACTERISTICS : MIL-STD-348-310.2
 MATING TORQUE : 7 TO 10 POUND INCHES
 MOUNTING TORQUE : N/A
 TEMPERATURE RANGE : -65 / +165 DEGREES C.

ELECTRICAL:
 VSWR MAXIMUM : $1.06 \times F^{.04}$ (F IN GHz.)
 INSERTION LOSS MAXIMUM : $.030 \times F^{.5}$ (F IN GHz.)
 R.F. LEAKAGE MINIMUM : -100 dB - F (F IN GHz.)
 INSULATION RESISTANCE : 5,000 MEGOHMS MIN.
 D.W.V. : 750 VRMS MAX.



ITEM	MATERIALS	FINISHES
BODY	: 303 STAINLESS PER ASTM-A-582	: PASSIVATE PER QQ-P-35
INSULATOR	: PTFE PER ASTM-D-1710	: N/A
CONTACT	: COPPER, BERYLLIUM PER ASTM-B196	: GOLD PER ASTM-B-488

REV.	DCN NUMBER	DATE	APP.
AA	04-1241	2/26/04	DC

SPECIFICATION CONTROL DRAWING

dynawave.
INCORPORATED
 Haverhill, MA. 01835

TITLE
**SMP FEMALE
 RIGHT ANGLE
 .047 SEMI-RIGID**

TOLERANCES

DECIMALS	FRACTIONAL	DEGREES
.X ±.030		X [°] 1 ⁰ '
.XX ±.010	± 1/16"	X [°] X' ±15"
.XXX ±.005		

DRAWN: DC DATE: 2/26/04
 APPROVED: DC DATE: 2/26/04

SCALE	CODE IDENT	SHEET
N/A	2J899	1 of 1

DRAWING
 NO. **9952-0081-6269**