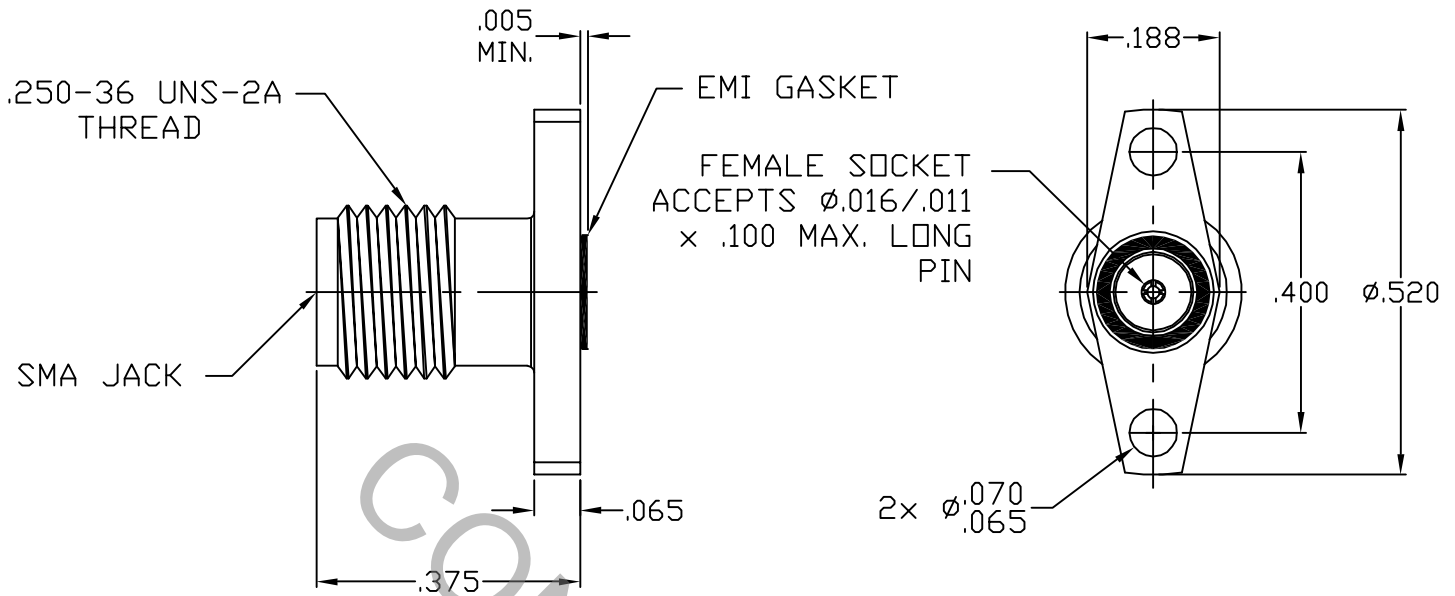


SPECIFICATION CONTROL DRAWING




1. MATING INTERFACE DIMENSIONS FOR SMA JACK Per MIL-STD-348 (Fig. 310-2).

2. ELECTRICAL

FREQUENCY RANGE GHz	_____	DC TO 26.5 GHz
VSWR (MAX.) *	_____	1.05 + .006 x FGHz
INSERTION LOSS (dB MAX.) *	_____	.03 dB x $\sqrt{\text{FGHz}}$
NOMINAL IMPEDANCE (OHMS)	_____	50
VOLTAGE RATING (MAX. VRMS)	_____	250
RF LEAKAGE (MIN. dB DOWN)	_____	-100 dB - FGHz
TEMPERATURE RATING (DEGREES CENTIGRADE)	_____	-65 °c TO + 165 °c
DIELECTRIC WITHSTANDING VOLTAGE (MAX. VRMS)	_____	750
INSULATION RESISTANCE (MIN. MEGOHMS)	_____	10,000
CONTACT RESISTANCE		
• CENTER CONTACT (MAX. MILLIOHMS)	_____	6.0
• OUTER CONTACT (MAX. MILLIOHMS)	_____	2.0

*TERMINATED IN A 50 OHM LOAD

RoHS
COMPLIANT

REV.	DCN NO.	DATE	APP.	DIMENSIONS ARE IN INCHES TOLERANCES			 HAVERHILL MA. 01835	
AA	08-1502	5/7/08	DC	DECIMALS .X ± .030 .XX ± .010 .XXX ± .005	FRACTIONAL ± 1/64	ANGULAR X ° ± 1° 0' X ° X' ± 15'		
				DRAWN	DC	DATE	5/7/08	TITLE SMA, JACK 2 HOLE FLANGE FIELD REPLACEABLE
				APPROVED	DC	DATE	5/7/08	
				CODE IDENT.	SHEET 1 OF 2		DWG. NO.	9952-0781-6221
				2J899				

SPECIFICATION CONTROL DRAWING

3. MECHANICAL

CAPTIVATION—CENTER CONTACT
MAX.AXIAL FORCE _____ 6.0 LBS.
MAX. RADIAL TORQUE _____ N/A
CENTER CONTACT AXIAL FORCES
● INSERTION (MAX. OUNCES) _____ INTERFACE 48.0 OZ. / FLANGE 32.0 OZ.
● WITHDRAWAL (MIN. OUNCES) _____ INTERFACE 2.0 OZ. / FLANGE END 1.0 OZ.
CONNECTOR ENGAGEMENT/DISENGAGEMENT (MAX. IN. LBS.) _____ 2.0
CONNECTOR DURABILITY (MIN. CYCLES) _____ 500
RECOMMENDED MATING TORQUE _____ 7 - 10 IN. LBS.

4. ENVIRONMENTAL

TEMPERATURE CYCLING _____ MIL-STD-202, METHOD 102, COND. C (-65 °c TO + 165 °c)
SHOCK _____ MIL-STD-202, METHOD 213, COND. I (100 G's)
VIBRATION _____ MIL-STD-202, METHOD 204, COND. D (20 G's)
MOISTURE RESISTANCE _____ MIL-STD-202, METHOD 106, LESS STEP 7b
CORROSION _____ MIL-STD-202, METHOD 101, COND. B (48 HOURS)
BAROMETRIC PRESSURE (ALTITUDE) _____ MIL-STD-202, METHOD 105, COND. C (70,000 FT.) (190 VRMS)

5. MATERIAL

BODY _____ STAINLESS STEEL PER ASTM A 582, TYPE 303, COND. A
CONTACT _____ BERYLLIUM COPPER PER ASTM B 196, COPPER ALLOY
UNS C 17300, TEMPER HT
INSULATOR _____ TEFLON PER ASTM D 1710
EMI GASKET _____ SILVER PLATED ALUMINUM IN SILICONE

6. FINISH

BODY _____ PASSIVATE PER AMS QQ-P-35, TYPE 2
CONTACT _____ GOLD PER ASTM B 488, TYPE 1, CODE C, CLASS 2.5
(.000100 MIN. THK.) OVER NICKEL PER QQ-N-290
(.000050 MIN. THK.) OVER COPPER PER MIL-C-14550
(.000010 MIN. THK.).
INSULATOR _____ N/A
EMI GASKET _____ N/A