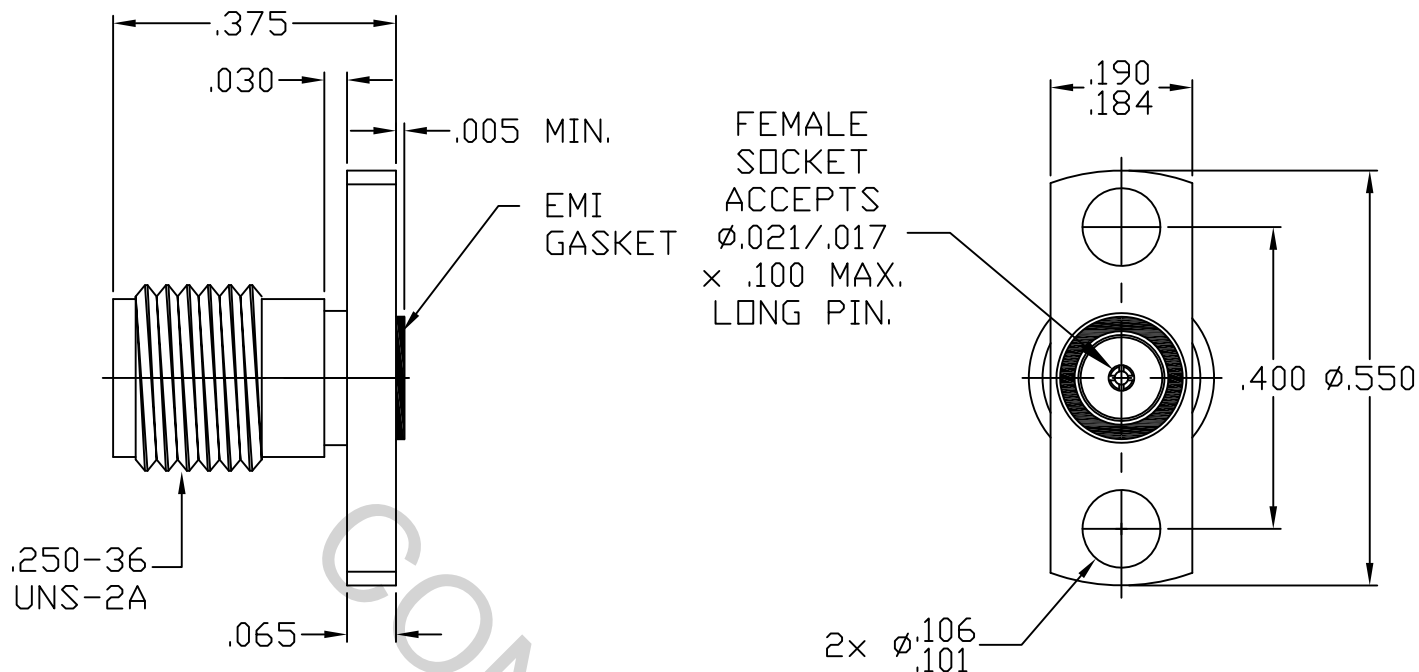


SPECIFICATION CONTROL DRAWING



1. MATING INTERFACE DIMENSIONS per MIL-STD-348 Fig. 310-2 (SMA JACK).

2. ELECTRICAL

| | | |
|---|-------|-------------------------------|
| FREQUENCY RANGE GHz | _____ | DC TO 26.5 GHz |
| VSWR (MAX.) * | _____ | 1.05 + .006 x FGHz |
| INSERTION LOSS (dB MAX.) * | _____ | .03 dB x $\sqrt{\text{FGHz}}$ |
| NOMINAL IMPEDANCE (OHMS) | _____ | 50 |
| VOLTAGE RATING (MAX. VRMS) | _____ | 250 |
| RF LEAKAGE (MIN. dB DOWN) | _____ | -100 dB - FGHz |
| TEMPERATURE RATING (DEGREES CENTIGRADE) | _____ | -65 °c TO + 165 °c |
| DIELECTRIC WITHSTANDING VOLTAGE (MAX. VRMS) | _____ | 750 |
| INSULATION RESISTANCE (MIN. MEGOHMS) | _____ | 10,000 |
| CONTACT RESISTANCE | | |
| • CENTER CONTACT (MAX. MILLIOHMS) | _____ | 6.0 |
| • OUTER CONTACT (MAX. MILLIOHMS) | _____ | 2.0 |

*TERMINATED IN A 50 OHM LOAD

This Document contains proprietary and confidential information.

RoHS
COMPLIANT

| REV. | DCN NO. | DATE | APP. | DIMENSIONS ARE IN INCHES TOLERANCES | | | | HAVERHILL MA. 01835 | |
|------|---------|---------|------|--|------------|-----------------------------|--------------|--|--|
| - | 321 | 4/87 | DGG | DECIMALS | FRACTIONAL | ANGULAR | | | |
| | | | | .X ± .030 .XX ± .010 .XXX ± .005 | ± 1/64 | X ° ± 1° 0' X ° X' ± 15' | | | |
| A | 599 | 11/88 | DGG | | | | | TITLE SMA, JACK 2 HOLE FLANGE FIELD REPLACEABLE .400 HOLE PATTERN | |
| AA | 10-1060 | 1/20/10 | DC | DRAWN | CDM | DATE | 4/87 | | |
| AB | 18-1481 | 5/4/18 | DC | APPROVED | DGG | DATE | 4/87 | | |
| | | | | CODE IDENT. | | | SHEET 1 OF 2 | DWG. NO. 9952-0781-6224 | |
| | | | | 2J899 | | | | | |

SPECIFICATION CONTROL DRAWING

3. MECHANICAL

CAPTIVATION-CENTER CONTACT

MAX. AXIAL FORCE _____ 6.0 LBS.

MAX. RADIAL TORQUE _____ N/A

CENTER CONTACT AXIAL FORCES

● INSERTION (MAX. OUNCES) _____ INTERFACE 48.0 OZ. / FLANGE 32.0 OZ.

● WITHDRAWAL (MIN. OUNCES) _____ INTERFACE 2.0 OZ. / FLANGE END 1.0 OZ.

CONNECTOR ENGAGEMENT/DISENGAGEMENT (MAX. LBS.) _____ 2.0

CONNECTOR DURABILITY (MIN. CYCLES) _____ 500

RECOMMENDED MATING TORQUE _____ 7 - 10 IN. LBS.

4. ENVIRONMENTAL

TEMPERATURE CYCLING _____ MIL-STD-202, METHOD 102, COND. C (-65 °c TO + 200°c)

SHOCK _____ MIL-STD-202, METHOD 213, COND. I (100 G's)

VIBRATION _____ MIL-STD-202, METHOD 204, COND. D (20 G's)

MOISTURE RESISTANCE _____ MIL-STD-202, METHOD 106, LESS STEP 7b

CORROSION _____ MIL-STD-202, METHOD 101, COND. B (48 HOURS)

BAROMETRIC PRESSURE (ALTITUDE) _____ MIL-STD-202, METHOD 105, COND. C (70,000 FT.) (190 VRMS)

5. MATERIAL

BODY _____ STAINLESS STEEL PER ASTM-A-582, TYPE 303, COND. A

CONTACT _____ BERYLLIUM COPPER PER ASTM B 196/B, 196M-03, COPPER ALLOY No. UNS C 17300, TEMPER TD04

INSULATOR _____ TEFLON PER ASTM D 1710-02, TYPE 1, GRADE 1, CLASS B.

EMI GASKET _____ SILVER PLATED ALUMINUM IN SILICONE RUBBER

6. FINISH

BODY _____ PASSIVATE PER AMS-2700, TYPE 2, CLASS 4.

CONTACT _____ GOLD PER ASTM B 488, TYPE 1, CODE C, CLASS 1.27
(.000050 MIN. THK.) OVER NICKEL PER QQ-N-290,
(.000050 MIN. THK.) OVER COPPER PER AMS-2418
(.000010 MIN. THK.) .

INSULATOR AND EMI GASKET _____ N/A