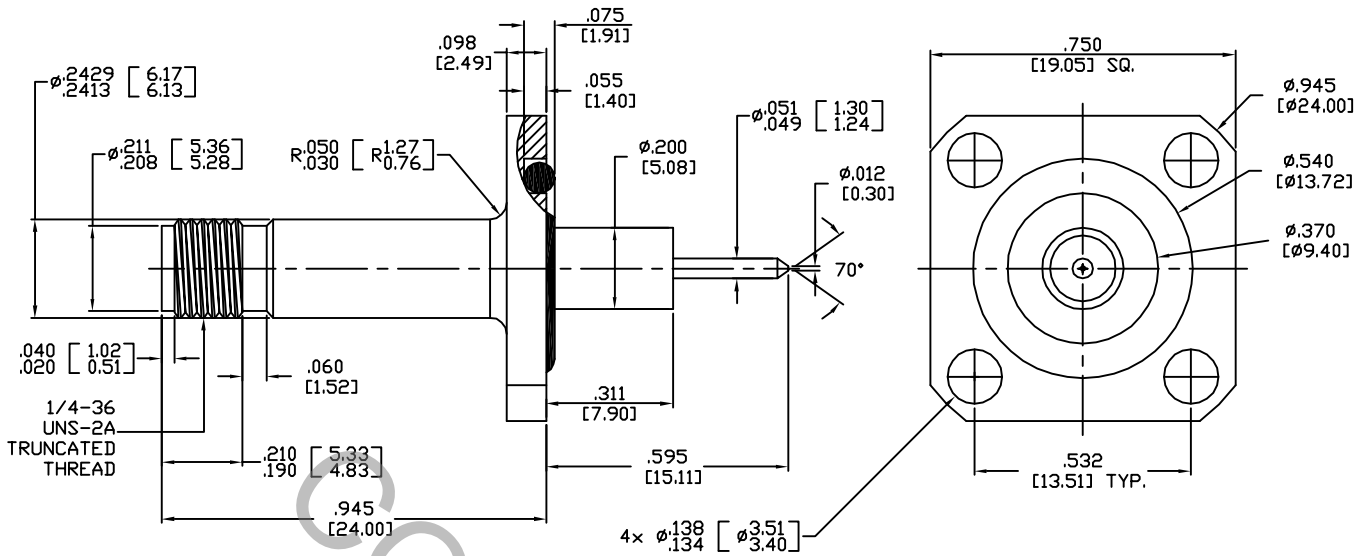


SPECIFICATION CONTROL DRAWING




1. MATING INTERFACE DIMENSIONS Per MIL-STD-348 Fig. 310.2 (SMA JACK)

2. ELECTRICAL

FREQUENCY RANGE GHz	DC TO 18.0 GHz
VSWR (MAX.) *	1.06 +.008 FGHz.
INSERTION LOSS (dB MAX.)	.035 dB x $\sqrt{\text{FGHz}}$
NOMINAL IMPEDANCE (OHMS)	50
VOLTAGE RATING (MAX. VRMS)	335
RF LEAKAGE (MIN. dB DOWN)	-100 dB - FGHz
TEMPERATURE RATING (DEGREES CENTIGRADE)	-65°c TO + 150°c
DIELECTRIC WITHSTANDING VOLTAGE (MAX. VRMS)	1,000
INSULATION RESISTANCE (MIN. MEGOHMS)	5,000
CONTACT RESISTANCE	
• CENTER CONTACT (MAX. MILLIOHMS)	6.0
• OUTER CONTACT (MAX. MILLIOHMS)	2.0

* TERMINATED IN A 50 OHM LOAD

REV.	DCN NO.	DATE	APP.	DIMENSIONS ARE IN INCHES TOLERANCES			 HAVERHILL MA 01835
AA	06-1196	2/16/06	DC	DECIMALS	FRACTIONAL	ANGULAR	
				.X ± .030 .XX ± .010 .XXX ± .005	± 1/64	X° ± 1'0" X° X' ± 15"	TITLE SMA JACK, 4 HOLE, FLANGE, 0.050 PIN TERMINAL
				DRAWN: DC	DATE: 2/16/06		
				APPROVED: DC	DATE: 2/16/06		
				CODE IDENT.	SHEET 1 OF 2	DWG. NO.	9954-0031-6201
				2J899			

SPECIFICATION CONTROL DRAWING

3. MECHANICAL

CAPTIVATION-CENTER CONTACT

- MIN. AXIAL FORCE _____ 4.5 LBS.
- MIN. RADIAL TORQUE _____ N/A

BMA ENGAGEMENT FORCES

- INSERTION (MAX. OUNCES) _____ 32.0
- WITHDRAWAL (MIN. OUNCES) _____ 2.0

BMA DURABILITY (MIN. MATING) _____ 1,000

RECOMMENDED MATING TORQUE _____ N/A

4. ENVIRONMENTAL

TEMPERATURE CYCLING _____ MIL-STD-202, METHOD 102, COND. C (-65 ° c TO + 200 ° c)

SHOCK _____ MIL-STD-202, METHOD 213, COND. I (100 G's)

VIBRATION _____ MIL-STD-202, METHOD 204, COND. D (20 G's)

MOISTURE RESISTANCE _____ MIL-STD-202, METHOD 106, LESS STEP 7b

CORROSION _____ MIL-STD-202, METHOD 101, COND. B (48 HOURS)

BAROMETRIC PRESSURE (ALTITUDE) _____ MIL-STD-202, METHOD 105, COND. C (70,000 FT.) (250 VRMS)

5. MATERIAL

CONNECTOR BODY _____ STAINLESS STEEL PER ASTM-A-479/A 479/M, TYPE 316L

CENTER CONTACT _____ BERYLLIUM COPPER PER QQ-C-530, ALLOY 173 COND. HT

INSULATOR _____ TEFLON PER ASTM-D-1457

O'RING _____ SILICONE RUBBER PER ZZ-R-765

6. FINISH

CONNECTOR BODY _____ PASSIVATE PER AMS QQ-P-35, TYPE 2.

CENTER CONTACT _____ GOLD PER ASTM-B-488, TYPE I, CODE C, CLASS 2.50
(.000100 MIN. THK.) OVER NICKEL PER QQ-N-290,
(.000050 MIN. THK.) OVER COPPER PER MIL-C-14550
(.000010 MIN. THK.).

INSULATOR AND O'RING _____ N/A