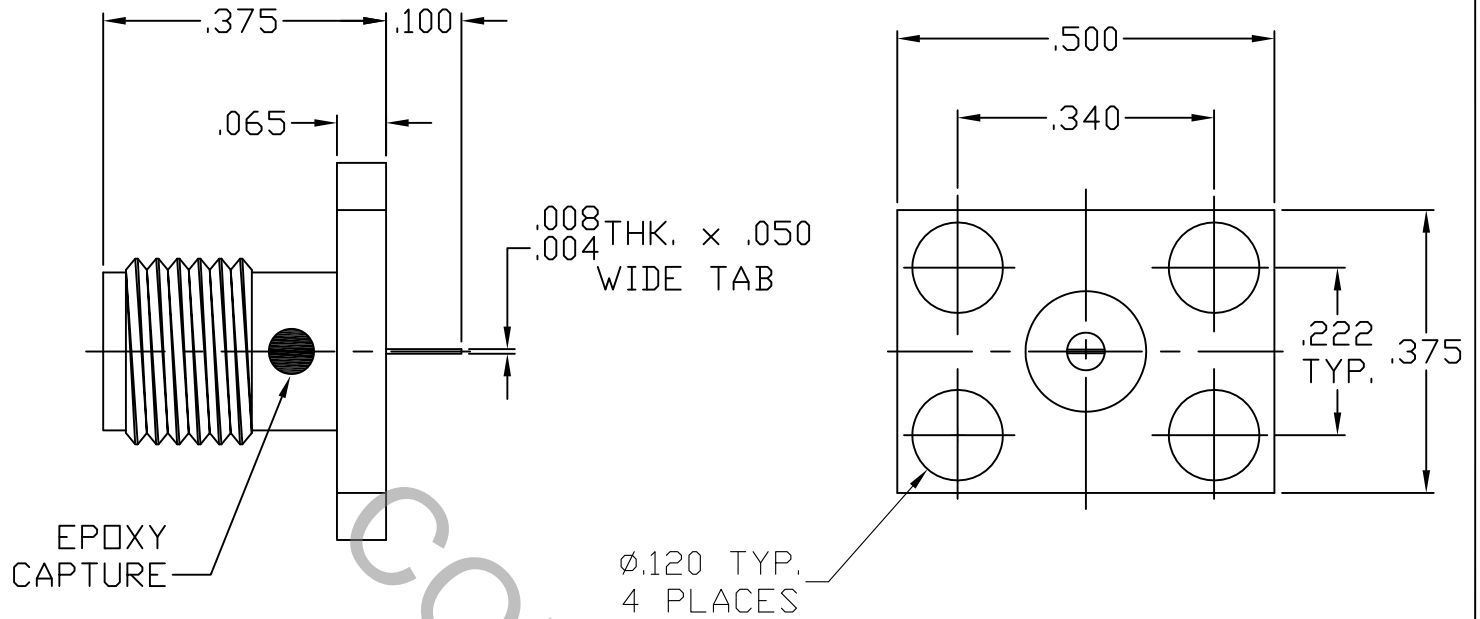


SPECIFICATION CONTROL DRAWING




1. MATING INTERFACE DIMENSIONS per MIL-STD-348 Fig. 310.2 (SMA JACK)

2. ELECTRICAL

FREQUENCY RANGE GHz	_____	DC TO 26.5 GHz.
VSWR (MAX.) *	_____	1.06 + .006 x FGHz.
INSERTION LOSS (dB MAX.) *	_____	.035 dB x √FGHz
NOMINAL IMPEDANCE (OHMS)	_____	50
VOLTAGE RATING (MAX. VRMS)	_____	250
RF LEAKAGE (MIN. dB DOWN)	_____	-100 dB - FGHz.
TEMPERATURE RATING (DEGREES CENTIGRADE)	_____	-65 °c TO + 165 °c
DIELECTRIC WITHSTANDING VOLTAGE (MAX. VRMS)	_____	750
INSULATION RESISTANCE (MIN. MEGOHMS)	_____	10,000
CONTACT RESISTANCE		
• CENTER CONTACT (MAX. MILLIOHMS)	_____	6.0
• OUTER CONTACT (MAX. MILLIOHMS)	_____	2.0

* TERMINATED IN A 50 OHM LOAD

RoHS
COMPLIANT

REV.	DCN NO.	DATE	APP.	DIMENSIONS ARE IN INCHES TOLERANCES			 <small>HAVERHILL, MA. 01835</small>
AA	12-1289	4/10/12	TS	DECIMALS	FRACTIONAL	ANGULAR	
				.X ± .030 .XX ± .010 .XXX ± .005	± 1/64	X ° ± 1' 0" X ° X' ± 15"	
				DRAWN TS	DATE 4/10/12	TITLE SMA JACK, 4 HOLE FLANGE CAPTIVATED CONTACT .005 TAB x .050 WIDE	
				APPROVED DC	DATE 4/10/12		
				CODE IDENT. 2J899	SHEET 1 OF 2	DWG. NO. 9954-0052-6265	

SPECIFICATION CONTROL DRAWING

3. MECHANICAL

CAPTIVATION-CENTER CONTACT

MAX. AXIAL FORCE _____ **6.0 LBS.**

MAX. RADIAL TORQUE _____ **4.0 IN. OZ.**

CENTER CONTACT AXIAL FORCES

● INSERTION (MAX. OUNCES) _____ **32.0**

● WITHDRAWAL (MIN. OUNCES) _____ **2.0**

CONNECTOR ENGAGEMENT/DISENGAGEMENT (MAX. LBS.) _____ **2.0**

CONNECTOR DURABILITY (MIN. CYCLES) _____ **500**

RECOMMENDED MATING TORQUE _____ **7 - 10 IN. LBS.**

4. ENVIRONMENTAL

TEMPERATURE CYCLING _____ MIL-STD-202, METHOD 102, COND. C (-65° c TO + 165° c)

SHOCK _____ MIL-STD-202, METHOD 213, COND. I (100 G's)

VIBRATION _____ MIL-STD-202, METHOD 204, COND. D (20 G's)

MOISTURE RESISTANCE _____ MIL-STD-202, METHOD 106, LESS STEP 7b

CORROSION _____ MIL-STD-202, METHOD 101, COND. B (48 HOURS)

BAROMETRIC PRESSURE (ALTITUDE) _____ MIL-STD-202, METHOD 105, COND. C (70,000 FT.) (**190 VRMS**)

5. MATERIAL

BODY _____ **STAINLESS STEEL PER ASTM A 582, TYPE 303, COND. A**

CONTACT _____ **BERYLLIUM COPPER PER ASTM B 196B, 196M-03, COPPER ALLOY
UNS C 17300, TEMPER TD04**

INSULATOR _____ **TEFLON PER ASTM D 1710-02, TYPE 1, GRADE 1, CLASS B**

6. FINISH

BODY _____ **PASSIVATE PER AMS 2700, TYPE 2, class 4.**

CONTACT _____ **GOLD PER ASTM B 488, TYPE I, CODE C, CLASS 1.27
(.000050 MIN. THK.) OVER NICKEL PER SAE AMS QQ-N-290, CLASS 1
(.000050 MIN. THK.) OVER COPPER PER AMS 2418 (.000010 MIN. THK.)**

INSULATOR _____ **N/A**