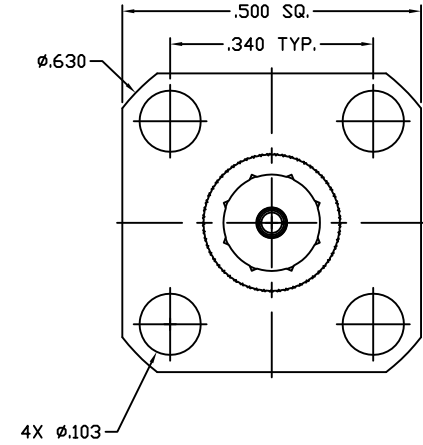
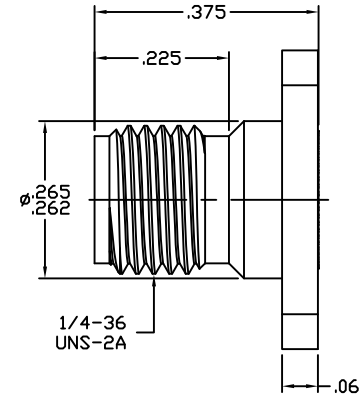
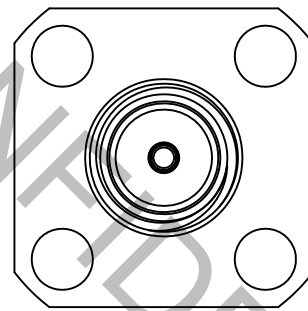
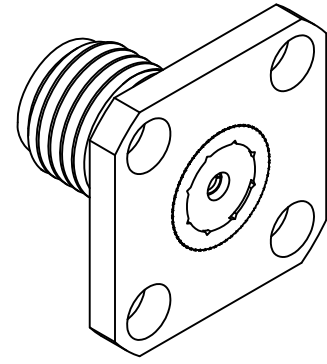
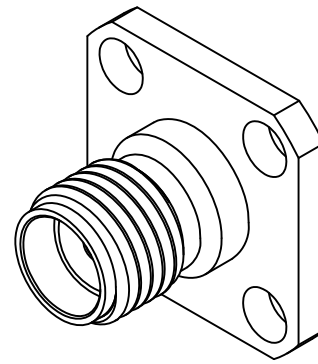


CONNECTOR SERIES: : SMA
 CENTER CONTACT: : FEMALE SOCKET
 NOMINAL IMPEDANCE: (OHMS) : 50
 CONTACT CAPTIVATION: : YES
 FREQUENCY RANGE: : 18 GHz.

MATING CHARACTERISTICS : MIL-STD-348-310.2
 MATING TORQUE : 7 TO 10 POUND INCHES
 MOUNTING TORQUE : N/A
 TEMPERATURE RANGE : -55 / +125 DEGREES C.

ELECTRICAL:
 VSWR MAXIMUM : N/A
 INSERTION LOSS MAXIMUM : N/A
 R.F. LEAKAGE MINIMUM : N/A
 INSULATION RESISTANCE : 5,000 MOHMS MINIMUM
 D.W.V. : 1000 VRMS MAX.



ITEM	MATERIALS	FINISHES
BODY	: 303 STAINLESS PER ASTM-A-582	: PASSIVATED
SLEEVE	: 303 STAINLESS PER ASTM-A-582	: PASSIVATED
INSULATORS	: PTFE PER ASTM-D-1710	: N/A
CONTACT	: COPPER, BERYLLIUM PER ASTM-B196	: GOLD

REV.	DCN NUMBER	DATE	APP.
AA	16-2599	12/23/16	DC

SPECIFICATION CONTROL DRAWING



TITLE **SMA JACK, 4 HOLE
 FLANGE, FIELD
 REPLACEABLE**

TOLERANCES		DRAWN : RMS	DATE: 12/20/16
DECIMALS	FRACTIONAL	DEGREES	APPROVED: DC
.X ±.030		X°±1'0"	DATE: 12/23/16
.XX ±.010	± 1/16"	X°X' ±15'	SCALE
.XXX ±.005			CODE IDENT
			SHEET
			N/A
			2J899
			1 of 1

DRAWING NO. **9954-0085-6201**