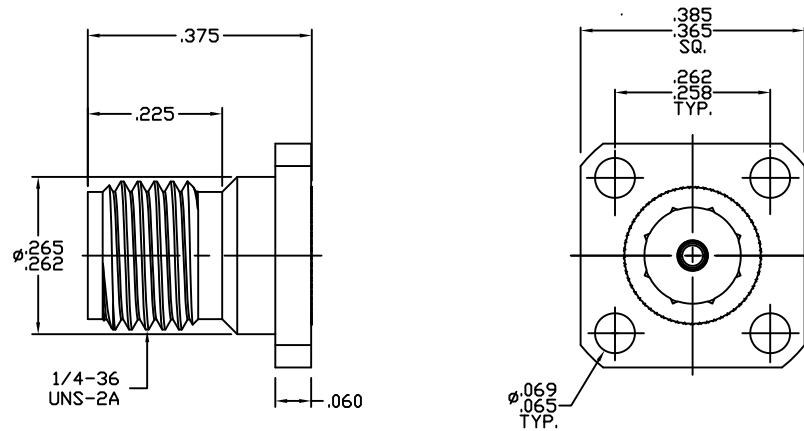


CONNECTOR SERIES: : SMA
 CENTER CONTACT: : FEMALE SOCKET
 NOMINAL IMPEDANCE: (OHMS) : 50
 CONTACT CAPTIVATION: : YES
 FREQUENCY RANGE: : 18 GHz.

MATING CHARACTERISTICS : MIL-STD-348-310.2
 MATING TORQUE : 7 TO 10 POUND INCHES
 MOUNTING TORQUE : N/A
 TEMPERATURE RANGE : -55 / +125 DEGREES C.

ELECTRICAL:
 VSWR MAXIMUM : N/A
 INSERTION LOSS MAXIMUM : N/A
 R.F. LEAKAGE MINIMUM : N/A
 INSULATION RESISTANCE : 5,000 MOHMS MINIMUM
 D.W.V. : 1000 VRMS MAX.



CONFIDENTIAL

ITEM	MATERIALS	FINISHES
BODY	: 303 STAINLESS PER ASTM-A-582	: PASSIVATED
SLEEVE	: 303 STAINLESS PER ASTM-A-582	: PASSIVATED
INSULATORS	: PTFE PER ASTM-D-1710	: N/A
CONTACT	: COPPER, BERYLLIUM PER ASTM-B196	: GOLD

REV.	DCN NUMBER	DATE	APP.
AA	17-1833	6/30/17	TS

SPECIFICATION CONTROL DRAWING

TOLERANCES		DRAWN: TS	DATE: 6/30/17
DECIMALS	FRACTIONAL	APPROVED: DC	DATE: 6/30/17
.X ±.030		SCALE	CODE IDENT
.XX ±.010	± 1/16"	N/A	2J899
.XXX ±.005		SHEET	1 of 1
	DEGREES		
	X° ± 1' 0"		
	X° X' ± 15'		


 INCORPORATED
 Haverhill, MA. 01835

TITLE
SMA JACK, 4 HOLE
FLANGE, FIELD
REPLACEABLE

DRAWING
NO. 9954-0085-6202