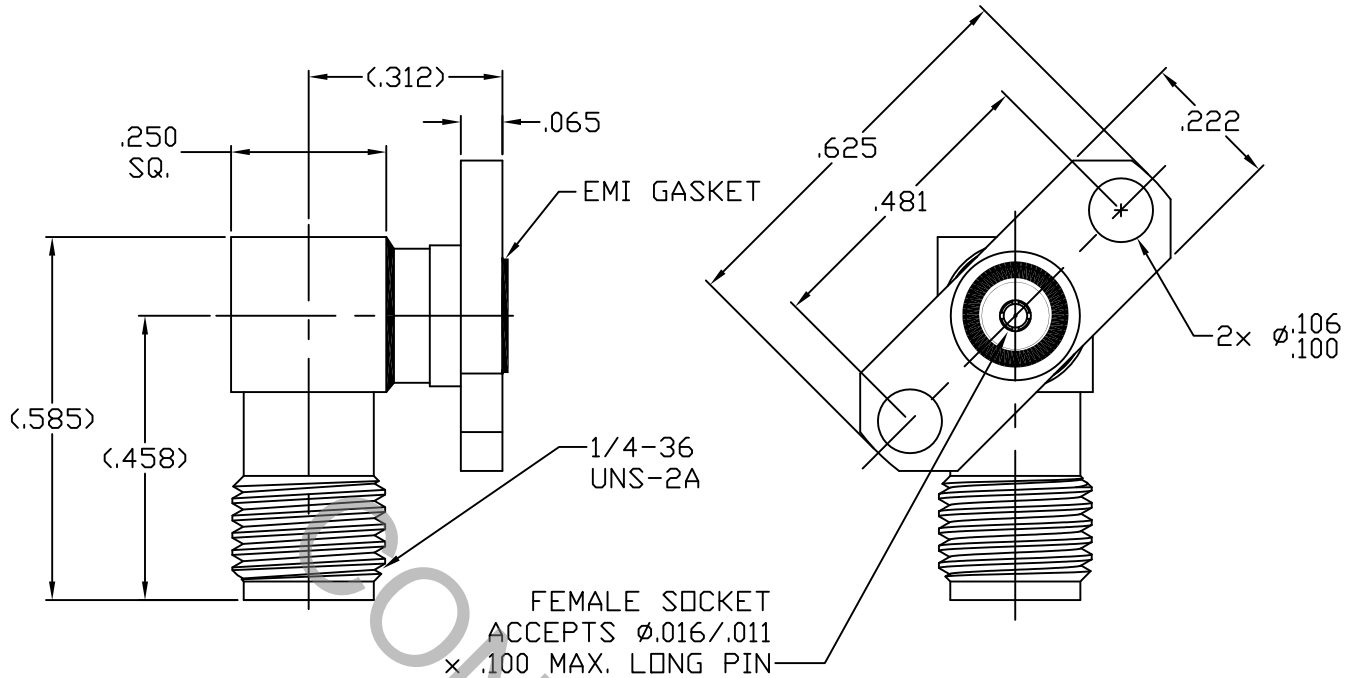


# SPECIFICATION CONTROL DRAWING



1. MATING INTERFACE DIMENSIONS FOR SMA JACK PER MIL-STD-348 (Fig. 310-2).

## 2. ELECTRICAL

FREQUENCY RANGE GHz	_____	DC TO 22.0 GHz.
VSWR (MAX) *	_____	1.07 + .010 x FGHZ.
INSERTION LOSS (dB MAX) *	_____	.04 dB x √FGHZ.
NOMINAL IMPEDANCE (OHMS)	_____	50
VOLTAGE RATING (MAX. VRMS)	_____	250
RF LEAKAGE (MIN. dB DOWN)	_____	100 dB - FGHZ.
TEMPERATURE RATING (DEGREES CENTIGRADE)	_____	-65 ° c TO +165 ° c
DIELECTRIC WITHSTANDING VOLTAGE (MAX. VRMS)	_____	750
INSULATION RESISTANCE (MIN. MEGOHMS)	_____	10,000
CONTACT RESISTANCE		
• CENTER CONTACT (MAX. MILLIOHMS)	_____	6.0
• OUTER CONTACT (MAX. MILLIOHMS)	_____	2.0

\* TERMINATED IN A 50 OHM LOAD

**RoHS**  
COMPLIANT

REV.	DCN NO.	DATE	APP.	DIMENSIONS ARE IN INCHES TOLERANCES			 GEORGETOWN MA 01833
				DECIMALS	FRACTIONAL	ANGULAR	
AA	05-1767	7/29/05	DC	.X ± .030 .XX ± .010 .XXX ± .005	±/64	X ° ± 1 ° 0' X ° X' ± 15'	TITLE SMA JACK, RIGHT ANGLE, 2 HOLE CCW FLANGE, FIELD REPLACABLE, EMI GASKET
AB	11-1520	6/13/11	TS	SURFACE ROUGHNESS 63 √ MIL-STD 10.			
				DRAWN DC	DATE 7/29/05		
				APPROVED DC	DATE 7/29/05		
				CODE IDENT. 2J899	SHEET 1 OF 2	DWG. NO. 9956-2781-6215	

# SPECIFICATION CONTROL DRAWING

## 3. MECHANICAL

### CAPTIVATION-CENTER CONTACT

- MAX AXIAL FORCE \_\_\_\_\_ 6.0 LBS.
- MAX RADIAL TORQUE \_\_\_\_\_ 4.0 IN./OZ.

### CENTER CONTACT AXIAL FORCES

- INSERTION (MAX OUNCES) \_\_\_\_\_ N/A
- WITHDRAWAL (MIN. OUNCES) \_\_\_\_\_ N/A

CONNECTOR ENGAGEMENT/DISENGAGEMENT (MAX. IN. LBS) — 2.0

CONNECTOR DURABILITY (MIN. CYCLES) \_\_\_\_\_ 500

RECOMMENDED MATING TORQUE \_\_\_\_\_ 7 - 10 IN. LBS.

## 4. ENVIRONMENTAL

TEMPERATURE CYCLING \_\_\_\_\_ MIL-STD-202, METHOD 102, COND. C ( -65 ° c TO + 200 ° c )

SHOCK \_\_\_\_\_ MIL-STD-202, METHOD 213, COND. I (100 G's)

VIBRATION \_\_\_\_\_ MIL-STD-202, METHOD 204, COND. D (20 G's)

MOISTURE RESISTANCE \_\_\_\_\_ MIL-STD-202, METHOD 106, LESS STEP 7b

CORROSION \_\_\_\_\_ MIL-STD-202, METHOD 101, COND. B (48 HOURS)

BAROMETRIC PRESSURE (ALTITUDE) \_\_\_\_\_ MIL-STD-202, METHOD 105, COND. C ( 70,000 FT. ) ( 190 VRMS )

## 5. MATERIAL

CONNECTOR BODY \_\_\_\_\_ STAINLESS STEEL PER ASTM A 582, TYPE 303, COND. A.

CENTER CONTACT \_\_\_\_\_ BERYLLIUM COPPER PER ASTM B196/B, 196M-03, COPPER ALLOY No. UNS C17300, TEMPER TD04.

EMI GASKET \_\_\_\_\_ SILVER PLATED ALUMINUM IN SILICONE

INSULATOR \_\_\_\_\_ TEFLON PER ASTM D 1710-02, TYPE 1, GRADE 1, CLASS B.

## 6. FINISH

CONNECTOR BODY \_\_\_\_\_ PASSIVATE PER AMS 2700, TYPE 2, CLASS 4.

CENTER CONTACT \_\_\_\_\_ GOLD PER ASTM-B-488, TYPE II, CODE C, CLASS 1.27  
(.000050 MIN.) OVER NICKEL PER SAE AMS QQ-N-290, CLASS 1  
(.000050 MIN.) OVER COPPER PER AMS 2418 (.000010 MIN.)

INSULATOR AND EMI GASKET \_\_\_\_\_ N/A