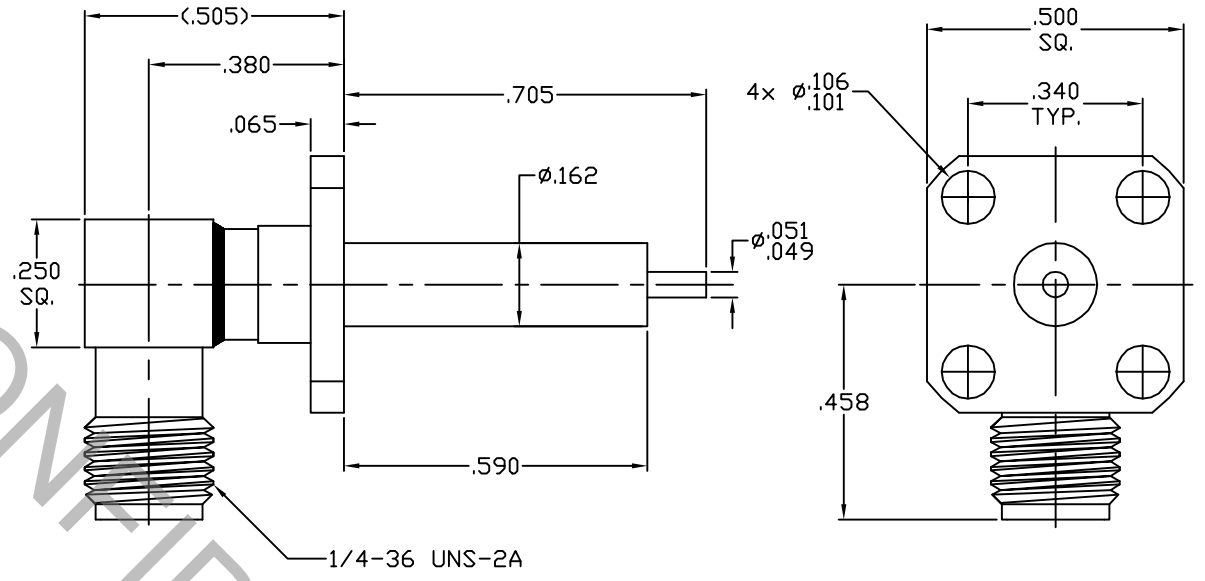


CONNECTOR SERIES: : SMA
 CENTER CONTACT: : FEMALE SOCKET
 NOMINAL IMPEDANCE: (OHMS) : 50
 CABLE ACCOMMODATION: : N/A

CONTACT CAPTIVATION: : 6.0 LBS.
 CABLE ATTACHMENT: : N/A
 CONTACT ATTACHMENT: : SOLDERABLE
 FREQUENCY RANGE: : DC TO 12.4 GHz.
 QPL SPECIFICATION: : N/A
 QPL EQUIVALENT: : N/A

MATING CHARACTERISTICS : MIL-STD-348-310.2
 MATING TORQUE : 7 TO 10 POUND INCHES
 MOUNTING TORQUE : N/A
 TEMPERATURE RANGE : -65 / +165 DEGREES C.

ELECTRICAL:
 VSWR MAXIMUM : 1.07 +.01 x FGHz.
 INSERTION LOSS MAXIMUM : .040 x $\sqrt{\text{FGHz}}$.
 R.F. LEAKAGE MINIMUM : -100 dB - F (F IN GHz.)
 INSULATION RESISTANCE : 5,000 MEGOHMS MIN.
 D.W.V. : 1000 VRMS MAX.



ITEM	MATERIALS	FINISHES
BODY	: BRASS PER ASTM-B16	: GOLD PER ASTM-B-488
INSULATOR	: PTFE PER ASTM-D-1710	: N/A
CONTACT	: COPPER, BERYLLIUM PER ASTM-B196	: GOLD PER ASTM-B-488

REV.	DCN NUMBER	DATE	APP.
AA	04-2342	11/15/04	DC

SPECIFICATION CONTROL DRAWING



TITLE
**SMA JACK, RIGHT
 ANGLE, 4 HOLE
 FLANGE, TERMINAL**

TOLERANCES		
DECIMALS	FRACTIONAL	DEGREES
.X ±.030		X° ±1°
.XX ±.010	± 1/16"	X°X' ±15'
.XXX ±.005		

DRAWN: DC DATE: 11/15/04
 APPROVED: DC DATE: 11/15/04

SCALE	CODE IDENT	SHEET
N/A	2J899	1 of 1

DRAWING NO. **9958-0031-2400**