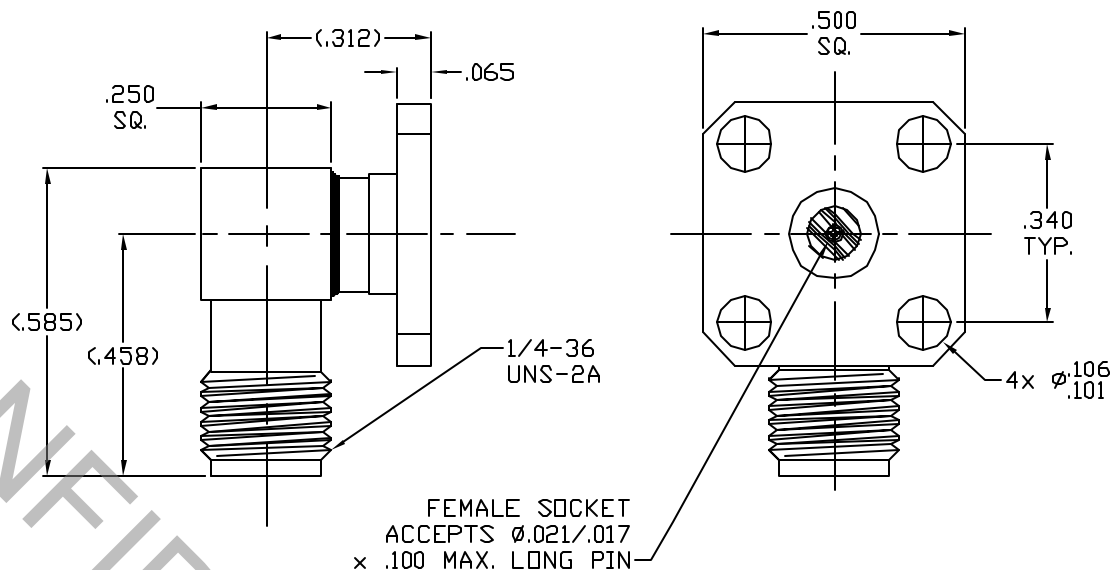


CONNECTOR SERIES: : SMA
 CENTER CONTACT: : FEMALE SOCKET
 NOMINAL IMPEDANCE: (OHMS) : 50
 CABLE ACCOMMODATION: : N/A

CONTACT CAPTIVATION: : 6.0 LBS.
 CABLE ATTACHMENT: : N/A
 CONTACT ATTACHMENT: : N/A
 FREQUENCY RANGE: : DC TO 22.0 GHz.
 QPL SPECIFICATION: : N/A
 QPL EQUIVALENT: : N/A

MATING CHARACTERISTICS : MIL-STD-348-310.2
 MATING TORQUE : 7 TO 10 POUND INCHES
 MOUNTING TORQUE : N/A
 TEMPERATURE RANGE : -65 / +165 DEGREES C.

ELECTRICAL:
 VSWR MAXIMUM : $1.07 + .010 \times F$ (F IN GHz.)
 INSERTION LOSS MAXIMUM : $.040\text{dB} \times \sqrt{F\text{GHz}}$
 R.F. LEAKAGE MINIMUM : -100 dB - F (F IN GHz.)
 INSULATION RESISTANCE : 10,000 MEGOHMS MIN.
 D.W.V. : 750 VRMS MAX.



ITEM	MATERIALS	FINISHES
BODY	: 303 STAINLESS PER ASTM-A-582	: NICKEL PER QQ-N-290
INSULATOR	: PTFE PER ASTM-D-1710	: N/A
CONTACT	: COPPER, BERYLLIUM PER ASTM-B196	: GOLD PER ASTM-B-488

REV.	DCN NUMBER	DATE	APP.
AA	04-1319	3/10/04	DC

SPECIFICATION CONTROL DRAWING

dynawave
 INCORPORATED
 Haverhill, MA. 01835

TITLE
**SMA JACK, RIGHT
 ANGLE, FIELD
 REPLACEABLE**

TOLERANCES

DECIMALS	FRACTIONAL	DEGREES
.X ±.030		X°10'
.XX ±.010	± 1/16"	X°X' ±15'
.XXX ±.005		

DRAWN: DC DATE: 3/10/04

APPROVED: DC DATE: 3/10/04

SCALE	CODE IDENT	SHEET
N/A	2J899	1 of 1

DRAWING
 NO. **9958-0081-6720**