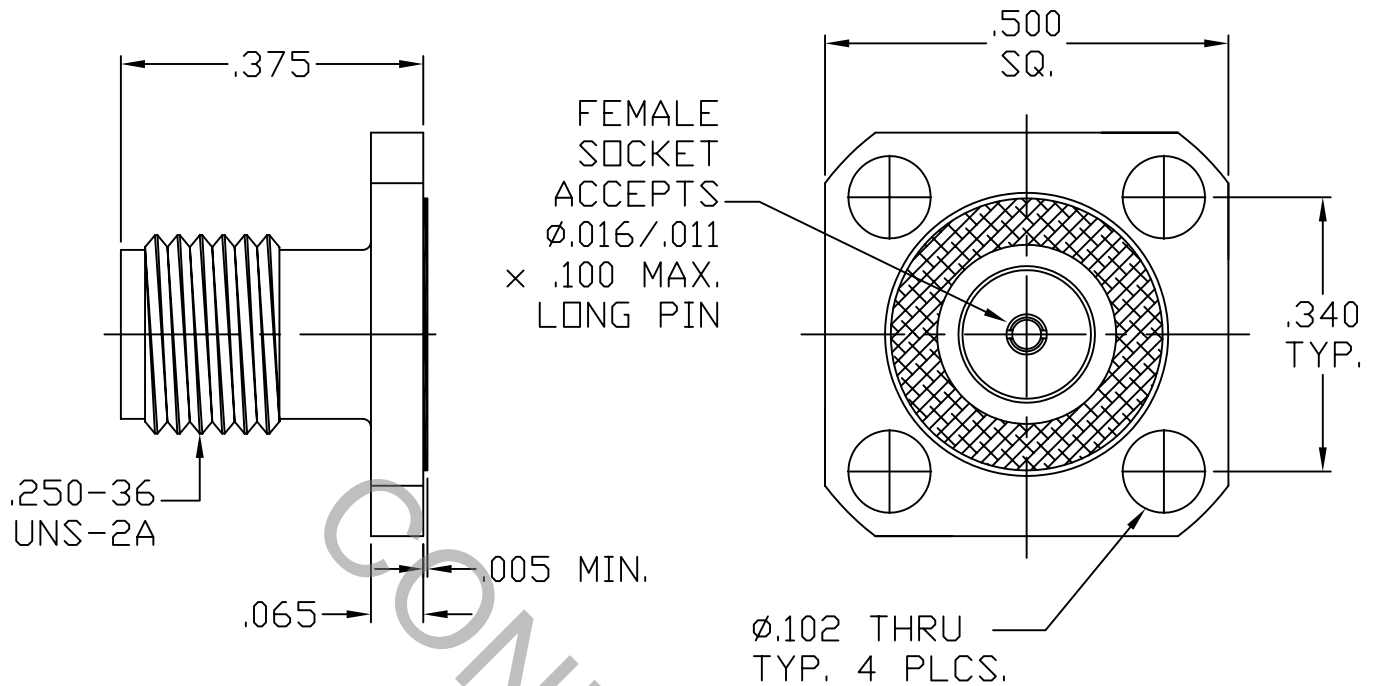


SPECIFICATION CONTROL DRAWING




1. MATING INTERFACE DIMENSIONS Per MIL-STD-348, Fig. 310-2 (SMA JACK).

2. ELECTRICAL

FREQUENCY RANGE GHz	_____	DC TO 18.0 GHz
VSWR (MAX.) *	_____	1.05 + .008 x FGHz
INSERTION LOSS (dB MAX.) *	_____	.04 dB x √FGHz
NOMINAL IMPEDANCE (OHMS)	_____	50
VOLTAGE RATING (MAX. VRMS)	_____	335
RF LEAKAGE (MIN. dB DOWN)	_____	-100 dB - FGHz
TEMPERATURE RATING (DEGREES CENTIGRADE)	_____	-65 ° c TO + 150 ° c
DIELECTRIC WITHSTANDING VOLTAGE (MAX. VRMS)	_____	1,000
INSULATION RESISTANCE (MIN. MEGOHMS)	_____	10,000
CONTACT RESISTANCE		
• CENTER CONTACT (MAX. MILLIOHMS)	_____	3.0
• OUTER CONTACT (MAX. MILLIOHMS)	_____	2.0

RoHS
COMPLIANT

*TERMINATED IN A 50 OHM LOAD

REV.	DCN NO.	DATE	APP.	DIMENSIONS ARE IN INCHES TOLERANCES			 HAVERHILL MA. 01835
				DECIMALS	FRACTIONAL	ANGULAR	
-	1132	2/95	TS	.x ± .030 .xx ± .010 .xxx ± .005	± 1/64	x ° ± 1'0" x ° x' ± 15'	TITLE SMA JACK 4 HOLE FLANGE MOUNT FIELD REPLACEABLE
AA	08-1337	3/27/08	DC				
				DRAWN	TS	DATE	2/95
				APPROVED	TS	DATE	2/95
				CODE IDENT.	SHEET 1 OF 2		DWG. NO.
				2J899			9954-0781-6296

SPECIFICATION CONTROL DRAWING

3. MECHANICAL

CAPTIVATION-CENTER CONTACT

MAX.AXIAL FORCE _____ 6.0 LBS.

MAX. RADIAL TORQUE _____ N/A

CENTER CONTACT AXIAL FORCES

● INSERTION (MAX. OUNCES) _____ INTERFACE 48.0 OZ. / REAR 32.0 OZ.

● WITHDRAWAL (MIN. OUNCES) _____ INTERFACE 2.0 OZ. / REAR 1.0 OZ.

CONNECTOR ENGAGEMENT/DISENGAGEMENT (MAX. IN. LBS.) _____ 2.0

CONNECTOR DURABILITY (MIN. CYCLES) _____ 500

RECOMMENDED MATING TORQUE _____ 7 - 10 IN. LBS.

4. ENVIRONMENTAL

TEMPERATURE CYCLING _____ MIL-STD-202, METHOD 102, COND. C (-65 °c TO + 165 °c)

SHOCK _____ MIL-STD-202, METHOD 213, COND. I (100 G's)

VIBRATION _____ MIL-STD-202, METHOD 204, COND. D (20 G's)

MOISTURE RESISTANCE _____ MIL-STD-202, METHOD 106, LESS STEP 7b

CORROSION _____ MIL-STD-202, METHOD 101, COND. B (48 HOURS)

BAROMETRIC PRESSURE (ALTITUDE) _____ MIL-STD-202, METHOD 105, COND. C (70,000 FT.) (250 VRMS)

5. MATERIAL

BODY _____ STAINLESS STEEL PER ASTM-A-582, TYPE 303, COND. A

CONTACT _____ BERYLLIUM COPPER PER ASTM-B-196, COPPER ALLOY
UNS C 17300, TEMPER HT

INSULATOR _____ TEFLON PER ASTM-D-1710

EMI GASKET _____ SILVER PLATED ALUMINUM IN SILICONE

6. FINISH

BODY _____ PASSIVATE PER AMS QQ-P-35, TYPE II

CONTACT _____ GOLD PER ATSM-B-488, TYPE I, CODE C, CLASS 2.5
(.00010 Min.Thk.) OVER NICKEL per QQ-N-290,
(.000050 Min. Thk.) OVER COPPER per MIL-C-14550,
(.000010 Min. Thk.).

INSULATOR & EMI GASKET _____ N/A